

# Industrial Display Monitor ETPM-S16

15.6" Resistive / Projected Capacitive Touch Display

## Product Features:

- 15.6" TFT LCD Resistive / Projected Capacitive Touch
- Front Bezel IP65
- Ultra-Slim Alloy Casing Design
- 1000/1500 nits Sun Light Readable (optional)

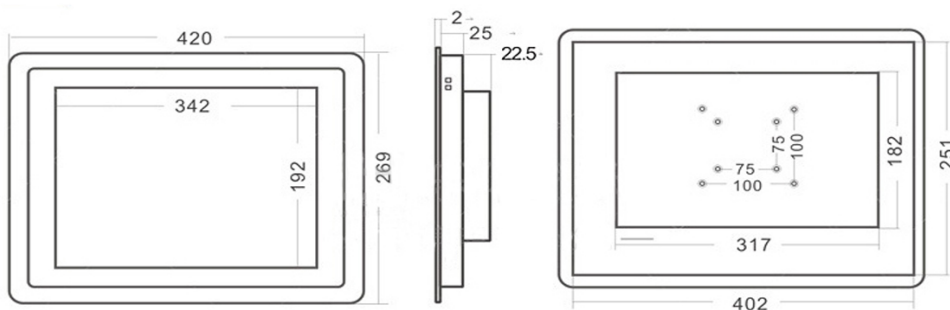


## Product Specifications:

Display	Model Name	ETPM-S16
	Size/Type	15.6" TFT
	Resolution (pixels)	1366 x 768
	Number of Colors	16.7M
	Brightness (cd/m <sup>2</sup> )	300
	Backlight lifetime	50000hrs
	Viewing Angle	170°H/160°V
System	VGA	1
	DVI	1
	HDMI	1
	OSD Control	5 Keys
	Speaker	2 x 2Watts (Options)
Power	Power Input	DC 12V
	Consumption	<35W
Mechanical	Construction	Aluminum Die-casting Chassis
	IP rating	Front IP65
	Mounting	Panel mounting, VESA 75 x75
	Dimension (mm)	420 (L) x 269 (H) x 50 (D)
	Net weight	2.1kg
Environment	Operating Temperature	-10°C ~ 60°C
	Storage Temperature	-20° ~60°C
	Storage humidity	10 to 90% @40°C Non-condensing, Without touch screen
	Certification	CE/FCC Class A

Note: All Specifications are subject to change without prior notice!

The size of 15.6inch industrial touchscreen monitor



Above size in mm.