

Industrial Panel PC EPC-F492P

Fanless Design Full IP66/IP69K – 12.1" Industrial All in One Panel PC Stainless Steel with Intel® Celeron CPU

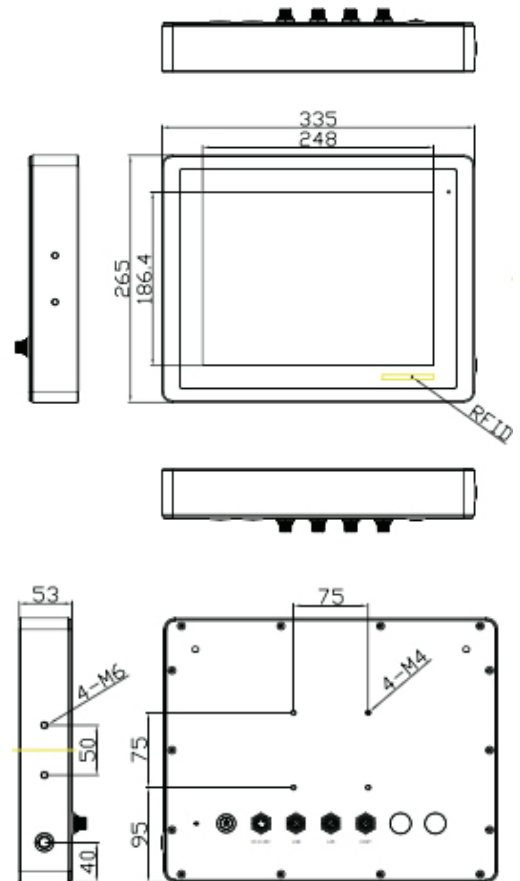
Product Features:

- Intel® Celeron N2930 1.83GHz
- Fanless Design w/ Projected Capacitive Touch
- Onboard DDR3L 4GB default
- High Brightness - Optional
- Wide range DC 9~36V power input

Product Specifications:

Mechanical	Model Name	EPC-F492P	
	Display Type	12.1" TFT-LCD	
	Max Resolution	800 x 600 default, 1024 x 768 (optional)	
System	Processor	Intel® Celeron N2930 1.83GHz	
	Chipset	SoC	
	Memory	Onboard DDR3L 4GB, 8GB (optional)	
	IDE/SATA	1 x 2.5" SATA HDD Bay 1 x Internal SD Card slot onboard	
	Luminance/ Color	450cd/m ² default, 500 cd/m ² (optional)	
	Color	16.2M	
	View angle	160 H° / 150V°	
	Backlight Lifetime	50,000 hrs	
	Contrast Ratio	800:1	
	Input / Output	USB Port	1 x M12 8-pin for 1 x USB 2.0
Ethernet		1 x M12 8-pin for GbE LAN	
Serial / Parallel		1 x M12 8-pin for RS-232/422/485	
Expansion Slot		1 x Mini PCIe slot for WIF/BT (optional)	
Option		2 x USB 2.0 1 x USB 3.0 via cable 1 x LAN via cable 1 x COM port 1 x CAN 1 x POE	
Power		Power Input	DC 9~36V
		Consumption	20.5W max.
Environment	Operating Temp.	-20°~ 60°C	
	Storage Temp.	-30°C~70°C	
	Storage Humidity	10~90% @ 40°C, (non condensing)	
OS Support	Windows 7 / Windows 8.1		
Mechanical	Construction	Stainless Steel chassis	
	Mounting	VESA 75 x 75 / Yoke Mount	
	IP Rating	Full IP66 / IP69K	
	Dimensions	335mm (W) x 53mm (D) x 265mm (H)	
	Weight	5kgs	
	Certification	CE/FCC Class A	

Note: All Specifications are subject to change without prior notice.



UNIT: mm
Tolerance: ±0.5