

# Using the 1D/2D Label Verification Kit

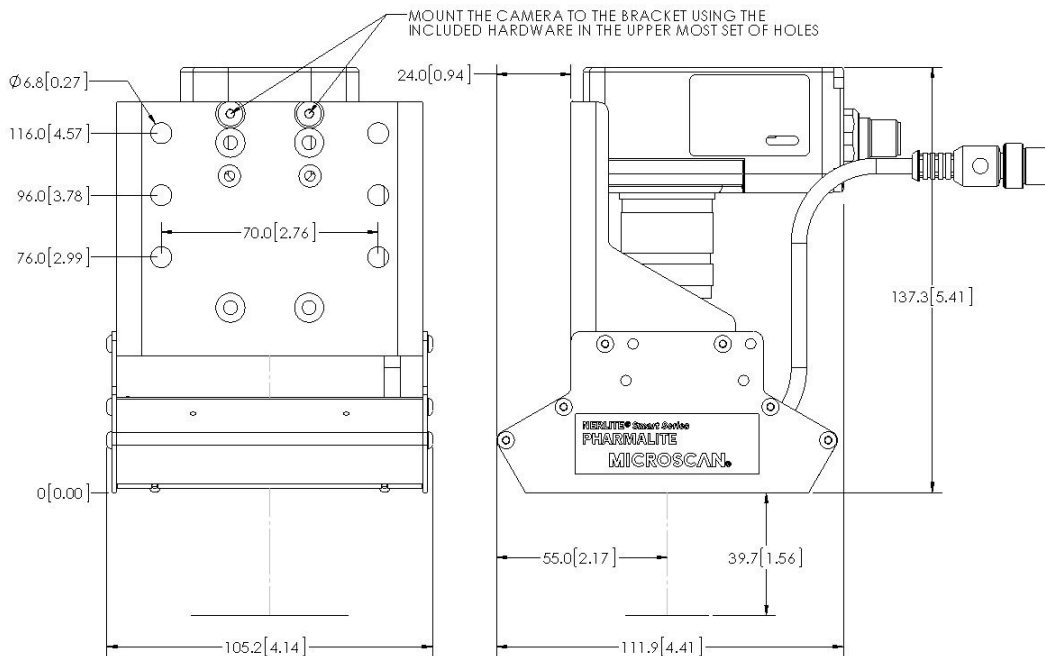


## Purpose

This document provides guidance to users of the **1D/2D Label Verification Kit**, part number **SLN-000005**. This kit consists of a light, lens, smart camera, and other accessories required to implement a verification system that is compliant with the requirements of **ISO 15415**, **ISO 15416**, and **AIM DPM guidelines**, or a **custom verification configuration**.

## Kit Contents

Part Number	Quantity	Description
98-000228-01	1	NERLITE, Smart Series Pharmalite, Dark Field, White, M12 Connector
GMV-6800-1034G	1	Vision HAWK C-Mount Smart Camera, WUXGA Mono, AutoVISION+Verification/OCV
98-000265-02	1	AutoVISION Verification Calibration Card
98-000259-01	1	Lens 25mm F/1.4-16, Front Thread 27mm P 0.5mm, 2/3" C-Mount
98-92800471	1	Lens Extension Tube, 5mm (C-CS Mount Adapter)
83-220127-XX	1	User Documentation (This document)



## Accessories

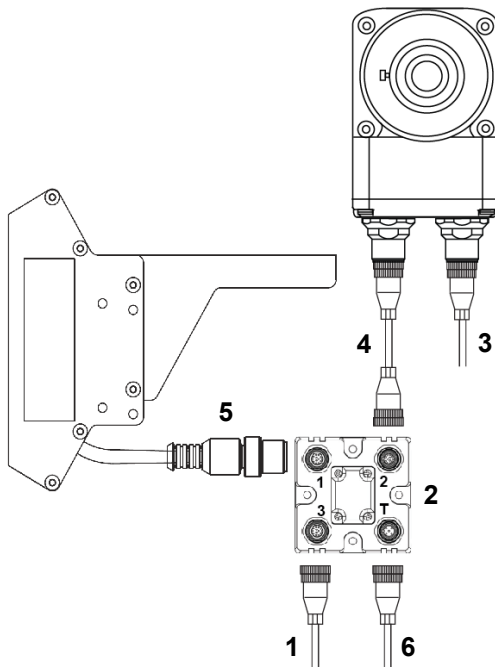
The required accessories are an Ethernet cable for the camera, a power supply, and power cables for the camera and lighting.

The selection of accessories depends on the details of the installation, such as required cable length, availability of suitable power, and whether the installation will employ continuous or strobed lighting.

The minimum set of accessories required to complete a bench-top installation is shown on the next page. In the configuration shown, the Vision HAWK camera and the illuminator share a power supply via a QX-1 Connection Block.

## Accessories – Hardware Configuration

Item	Function	Part Number	Description
1	Camera/Light Power Supply	97-000012-01	QX Power Supply, 24V, M12 12-pin Socket, 1.3 m cable, U.S. / Euro Plug
2	Connection Block	98-000103-02	QX-1 Connection Block
3	Ethernet Cable	61-000163-02	QX Cordset, Host, Ethernet, M12 8-pin Plug (Screw-On) to RJ45, 3 m
4	Camera Power and Signal Cable	61-000148-02	QX Cordset, Common, M12 12-pin, Socket (Screw-On) to M12 12-pin Plug (Screw-On), 3 m
5	Continuous Lighting Cable <i>or</i>	61-000204-01	Cable, Power, Smart Series to QX-1
	Strobe Lighting Cable	61-000218-01	Cable, Smart Series to QX-1, Strobe, NPN
6	Photo Sensor (Optional)	99-000020-02	Trigger, M12 4-pin Plug, NPN, Dark On, 2 m

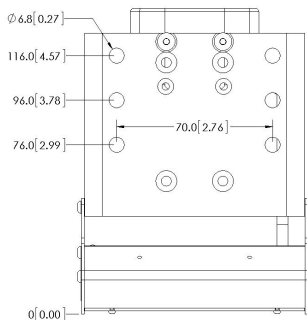


## Mounting Positions

The 1D/2D Label Verification Kit is designed to be mounted with the bottom surface of the light 1 9/16 inches (39.7 mm) above the surface of the mark being inspected. At this position the back of the camera is 6 15/16 inches (177.0 mm) above the surface. At this distance the field of view with the supplied 25 mm lens and 5 mm extension tube is 2.00" (50.8mm) x 1.06" (27.0mm).

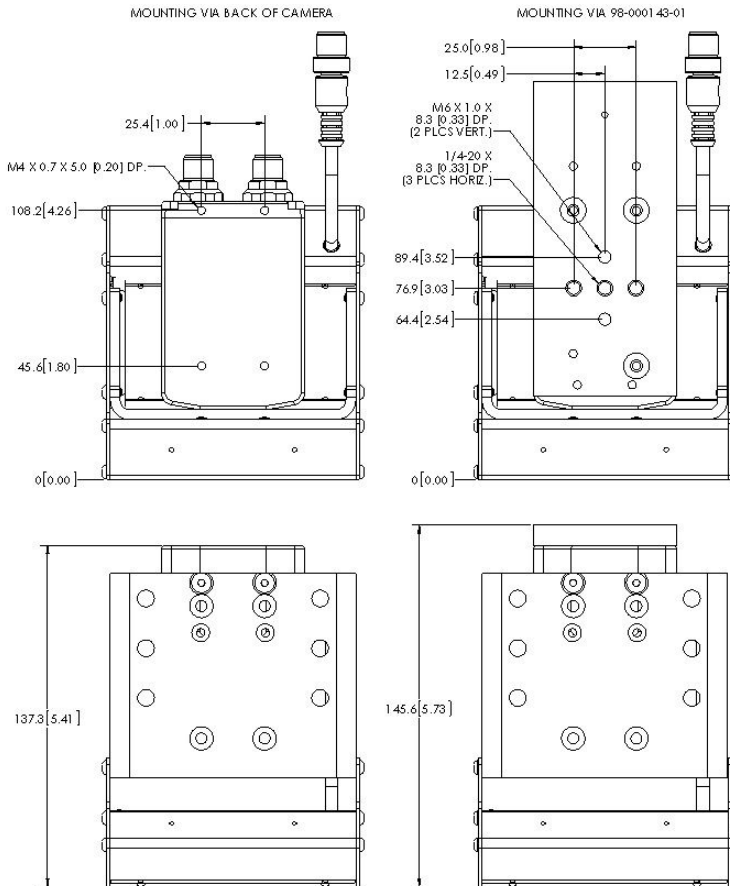
## Mounting Options and Hardware

The 1D/2D Label Verification Kit kit can be mounted using one or more of the six ¼ inch (6.8 mm) through-holes in the Pharmalite back plate (using customer-supplied fasteners) or by means of the four M4-tapped holes that are available on the top surface of the Vision HAWK.



## Alternate Mounting Option

You also have the option of using the QX Hawk Adapter Plate, part number **98-000143-01**, which mounts to the camera and offers a set of three 1/4-20-threaded holes and two M6-threaded holes.



## Applicability to Verification Standards

The verification methodologies described in this document do not meet the standard light angle geometries for ISO 15415, ISO 15416, and AIM DPM, but the methods described here can be considered an alternate geometry. This kit supports a camera and 60 degree dark field lighting configuration that is consistent with the requirements of ISO 15415 (Information technology — Automatic identification and data capture techniques — Bar code print quality test specification — Two-dimensional symbols) and AIM DPM 1-2006 AIM (Direct Part Mark Quality Guidelines). The equivalent standard for 1D verification (ISO 15416) calls for a single source of **oblique (45 degree)** illumination in the reference configuration, while the Pharmalite used in the 1D/2D Verification Kit provides an alternate geometry of oblique 60 degrees. AutoVISION 2.0/Visionscape 6.0 and higher support the verification methodologies defined in these standards for the ECC 200 Data Matrix symbol.

ISO 15415 is best-suited to high-contrast 2D printed marks, ISO 15416 are best-suited to high-contrast 1D printed marks, and AIM DPM guidelines are intended for direct part marks.

## Lighting Configurations

All the applicable standards require that the camera be mounted perpendicular to the marked surface. ISO standards require at least **8 pixels per element**. The AIM standard follows the ISO 15415 standard. The minimum symbol element size (cell size or 1D narrow bar) that will provide the required number of pixels per element with the supplied camera and lens is **0.012 inches**.

The ISO standards indicate basic “reference optical geometries” – meaning lighting positions – and alternate geometries that include **oblique degrees incident light (Pharmalite)**. If an alternate geometry such as Pharmalite is used, you must enter the 60 degree angle and wavelength (W) into AutoVISION’s Symbol Quality Verification Tool and ensure that the angle and wavelength are also included in any resulting verification report.

## **Alternate Applications**

If called upon to verify 1D symbols that are larger than those that can be graded with the 1D/2D Label Verification Kit [maximum field of view 2.00" (50.8mm) x 1.06" (27.0mm)], you may find that the Large Linear Verification Kit, part number **SLN-000006**, can be usefully applied. The Large Linear Verification Kit can also be used if strict adherence to the reference geometry and lighting wavelength is required and the minimum 1D symbol narrow bar width is 0.012 inches.

The 1D/2D Label Verification Kit can be used to implement Optical Character Verification (OCV) on glossy labels either in combination with 1D or 2D symbol verification or as a stand-alone application.

## **Marking Method**

The 1D/2D Label Verification Kit works best when the mark is on a specular/reflective surface (ink on glossy label stock). The Dot Peen Verification Kit, part number **SLN-000004**, may be a better solution with marks that are on matte diffuse surfaces (ink on matte paper).

The Dot Peen Verification Kit should be used for dot peen marks in almost all circumstances. The choice for laser marks depends on the form or the mark. If annealing/ablation has occurred, then the Dot Peen Verification Kit is appropriate if the substrate is dark.

## **Operation**

The Pharmalite illuminator is designed to be mounted 1 9/16" (39.7 mm) from the object being inspected. Configuration and use of AutoVISION verification is covered in detail in the **Symbol Quality Verification Tool** section of the *AutoVISION Software User Manual* ("autovisionmanual.pdf", located in **C:\Microscan\Vscope\Documentation** after AutoVISION installation) and also in AutoVISION Help, which can be accessed from the **File** menu in AutoVISION software.