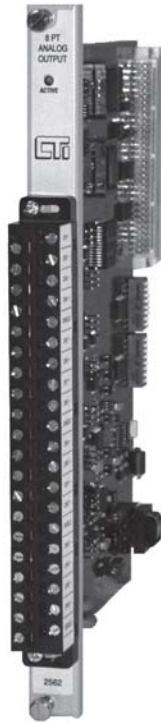


2562 8-Channel Analog Output Module



Description

The 2562 is a low-cost, high-speed, 8-channel analog output module designed to be compatible with the SIMATIC® 505 programmable controller/I/O base. The 2562 translates digital words from the controller into equivalent analog outputs. The 2562 is fully compatible with all versions of the 545 and 555 PLCs.

Features

- Replaces Siemens® 505-6208 with no rewiring
- 8 analog output channels
- 1500V channel-to-PLC backplane isolation
- Update time 4 mSec all channels
- 12 bits of resolution
- Voltage and current outputs available simultaneously
- Bipolar or Unipolar outputs per channel
- Single-wide module

Specifications

Output Channels: 8 analog output channels

Response Time:

4 mSec total module (includes settling time)

Output Range:

Unipolar:

- 0 to +5.12 VDC
- 0 to +10.24 VDC
- 0 to +20 mA

Bipolar:

- 5.12 to +5.12 VDC
- 10.24 to +10.24 VDC
- 20 to +20 mA

Resolution 12 Bits:

Unipolar 12 bits:

- 0 - 20 mA range = 5µA/step
- 0 - 5 VDC range = 1.25mV/step
- 0 - 10 VDC range = 2.5mV/step

Bipolar 11 bits plus sign:

- 5 to +5 VDC range = 2.5mV/step
- 10 to +10 VDC range = 5.0mV/step
- 20 to +20 mA range = 10µA/step

Isolation:

1500 VDC channel-to-PLC

Capacitance Drive: 0.01 microfarad

Load Resistance:

Voltage: 1KΩ minimum, no maximum
Current: 0Ω to 1KΩ max. @ 24 VDC or greater

Accuracy:

Voltage mode: <1% of full scale from 0° to 60°C over total load range
Current mode: <1% of full scale from 0° to 60°C over total load range

User Supply:

20 to 30 VDC @ 0.50 Amps max.
(maximum ripple of 0.4 V)

NOTE: Maximum load resistance for current output drops to 600Ω @ 20 VDC user supply

Connector: Removable

Wire Gauge: 14-22 AWG

Backplane Power: 1.7 Watts

Module Size: Single-wide

Operating Temperature: 0° to 60°C
(32° to 140°F)

Storage Temperature: -40° to 85°C
(-40° to 185°F)

Relative Humidity: 5% to 95% (non-condensing)

Agency Approvals:

UL, UL-Canada

Agency Approvals Pending:

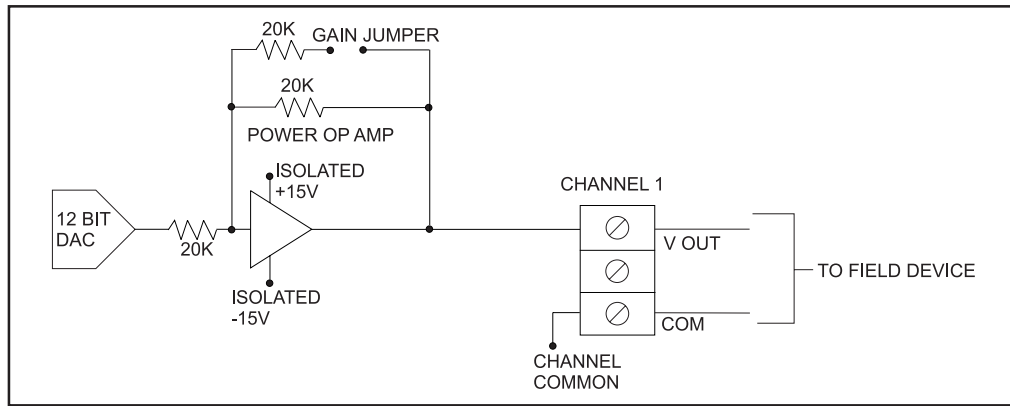
Class 1 - Div.2

Shipping Weight: 1.5 lb. (0.68 Kg)

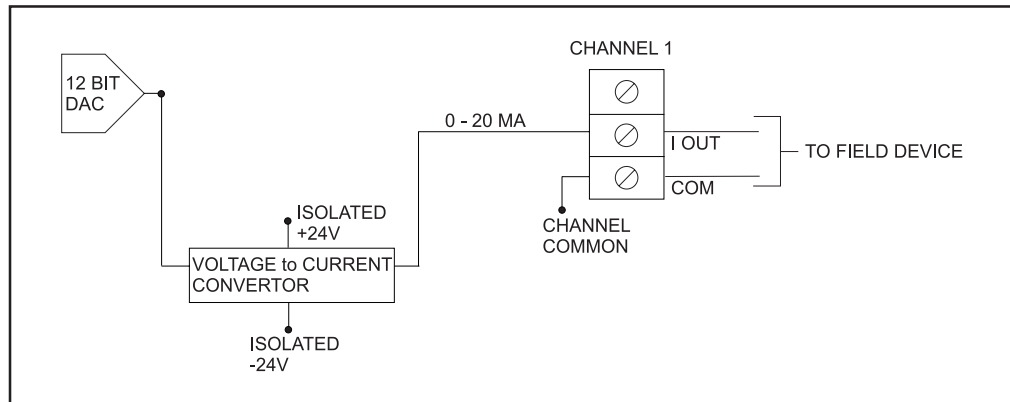


Control Technology Inc.

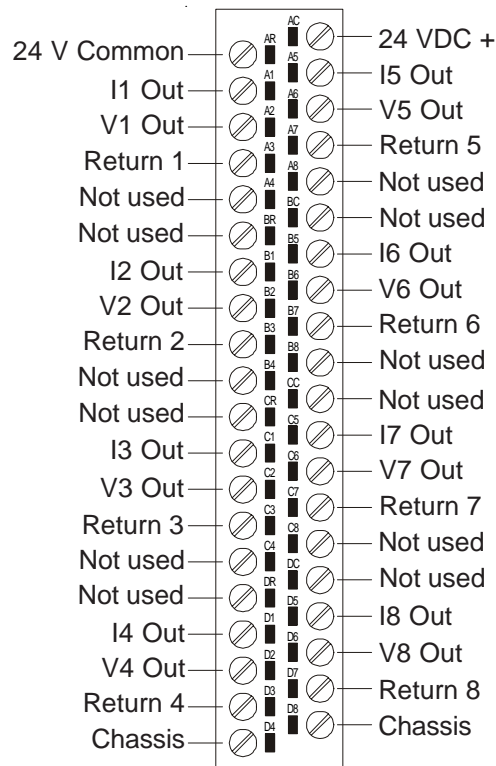
5734 Middlebrook Pike, Knoxville, TN 37921 Phone: 865/584-0440 Fax: 865/584-5720
www.controltechnology.com



Typical Internal Circuit - Voltage Mode



Typical Internal Circuit - Current Mode



2562 Wiring Connector