

Industrial Display Monitor ETPM-S19

19" Resistive / Projected Capacitive Touch Display

Product Features:

- 19" TFT LCD Resistive / Projected Capacitive Touch
- True-Flat Design Front Panel IP65
- Support VGA + DVI + HDMI (optional)
- 1000-1500nits High Brightness Sunlight Readable Optional

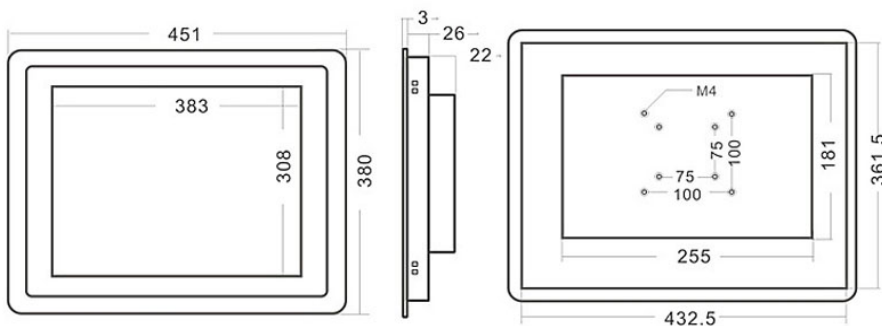


Product Specifications:

Display	Model Name	ETPM-S19
	Size/Type	19" TFT
	Resolution (pixels)	1280 x 1024
	Number of Colors	16.7M
	Brightness (cd/m ²)	400
	Backlight lifetime	50000hrs
	Viewing Angle	178°H/160°V
System	VGA	1
	DVI	1
	HDMI	1 (optional)
	OSD Control	NONE
	Others	USB interface (for touch screen)
	Power	Power Input
Mechanical	Power	AC Adapter
	Power Consumption	< 35W
	Construction	Aluminum Die-casting Chassis
	IP rating	Front IP65
	Touch (option)	Resistive or Projected Capacitive Touch
	Color (option)	Sliver or Black
	Mounting	Panel mounting, VESA 100 x100mm
Environment	Dimension (mm)	450 (L) x 379 (H) x 48.4 (D)
	Net weight	5.8 kg
	Operating Temperature	-10~60°C
	Storage Temperature	-20°~60°C
	Storage humidity	10 to 90% @40°C, Non-condensing
Certification	CE/FCC Class A	

Note: All Specifications are subject to change without prior notice!

The size picture of 19inch industrial touch monitor



Above size in mm.