

Industrial Panel PC EPC-F585

Fanless Design Low Power Consumption – 15" Industrial All in One Panel PC with Intel® Celeron CPU

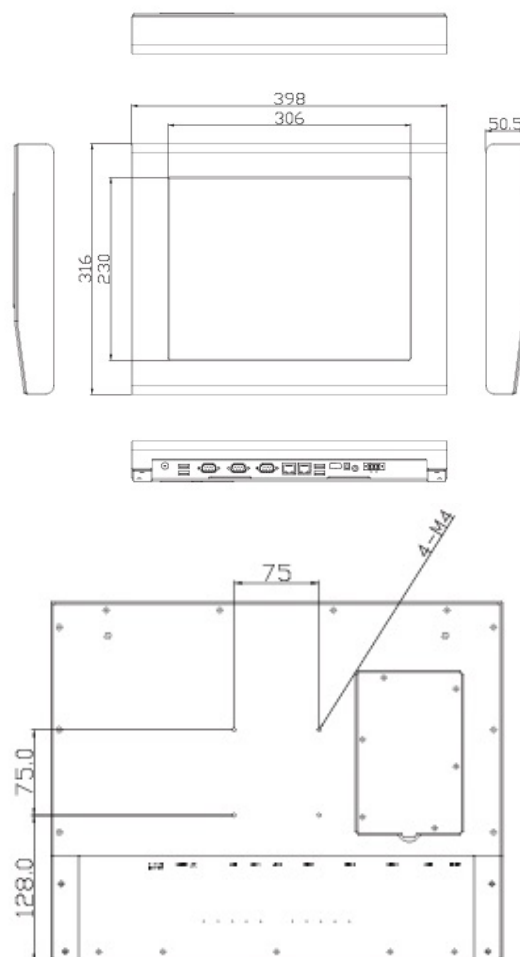
Product Features:

- Intel® Celeron N2930 1.83GHz
- Fanless Design
- Onboard DDR3L 4GB Max.
- 5 sides IP65 with I/O covers
- Wide range DC 9~36V power input



Product Specifications:

Mechanical	Model Name	EPC-F585
	Display Type	15" TFT-LCD
	Max Resolution	1024 x 768
System	Processor	Intel® Celeron N2930 1.83GHz
	Chipset	SoC
	Memory	Onboard DDR3L 2GB SDRAM or Onboard DDR3L 4GB SDRAM (option)
	IDE/SATA	1 x 2.5" SATA HDD Bay
	Luminance/ Color	400cd/m ²
	Color	16.7M
	View angle	160 H° / 140V°
Input / Output	Front USB Port	3 x USB 2.0 type A 1 x USB 3.0 type A
	Ethernet	2 x GbE LAN RJ-45
	Serial / Parallel	2 x RS-232 DB-9 1 x RS-232/422/485
	Movable device	1 x Internal SD slot
	Expansion Slot	1 x Mini PCIe full size, Optional WiFi / BT with Antenna
	COM	2 x RS-232 DB-9 1 x DB-9 RS-232/422/485
	Audio	2 x Line out phone jack
	Power Input	DC 9~36V
Power	Consumption	18.6W max.
	Power	1 x 3-pin terminal block connector, 1 x Power Switch on/off
Environment	Operating Temperature	0°~ 50°C
	Storage Temp.	-30°C~70°C
	Storage Humidity	10~90% @ 40°C, (non condensing)
OS Support	Windows 7 / Windows 8.1	
Mechanical	Standard Color	Black
	Construction	Steel chassis
	Mounting	VESA 75 x 75
	IP Rating	5 sides IP65 with I/O covers
	Dimensions	398mm (W) x 50.5mm (D) x 316mm (H)
	Weight	6.3kgs
Certification	CE/FCC Class A	



Note: All Specifications are subject to change without prior notice.