

Industrial Panel PC EPC-F695

Fanless High Performance – 15" Stainless Steel All in One Panel PC with Intel® 6th Core i3/i5/i7 CPU

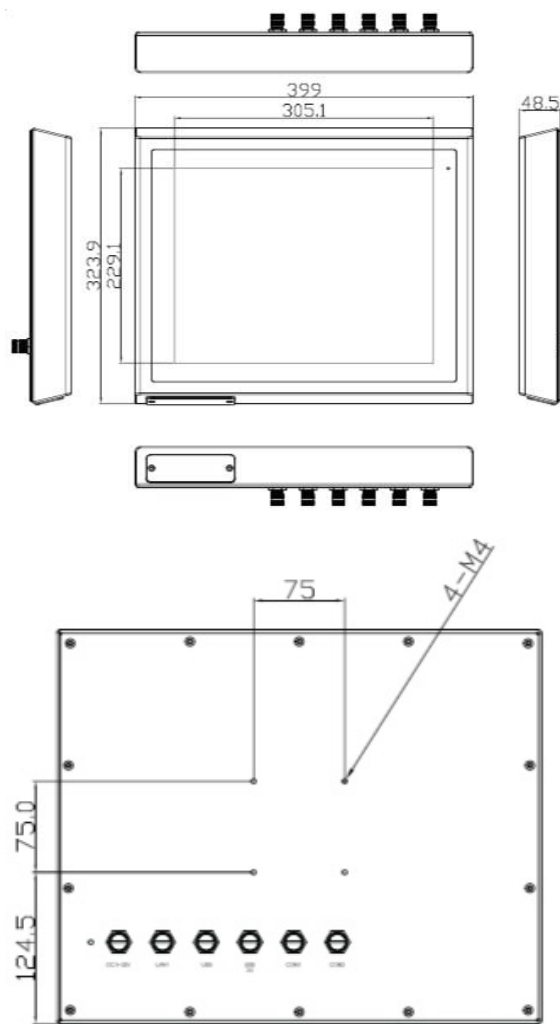
Product Features:

- Intel® 6th Core i3/i5/i7
- DDR4 upto 16GB 2133MHz
- Full Flat Bezel, Full IP66/IP69K w/ M12 connector
- Projective Capacitive / Resistive Touch
- Wide range DC 9~36V power input



Product Specifications:

Mechanical	Model Name	EPC-F695	
	Display Type	15" TFT-LCD	
	Max Resolution	1024 x 768	
System	Processor	Intel® i3-6100U / Intel® i5-6300U	
	Chipset	SoC	
	Memory	DDR4 upto 16GB 2133MHz	
	IDE/SATA	1 x 2.5" SATA3 HDD	
	Luminance/ Color	420cd/m ²	
	Color	16.7M	
	View angle	160 H° / 160V°	
Input / Output	USB Port	1 x USB 2.0	
	Ethernet	1 x M12 8-pin for GbE LAN	
	Serial / Parallel	1 x RS-232/422/485	
	Expansion Slot	1 x miniPCIe for WIFI/BT(opt.), 4G/LTE(opt.)	
	RFID Module	RFID module on the front (opt.)	
	Interface	USB	
	Option	2 x M12 2 x USB 2.0 1 x USB 3.0 1 x LAN (POE opt.) 1 x COM 1 x CAN	
	Power	Power Input	DC 9~36V
		Consumption	35W
		Power	1 x M12 3-pin terminal block connector, 1 x Power Switch on/off
Environment	Operating Temp.	0°~ 50°C	
	Storage Temp.	-30°C~70°C	
	Storage Humidity	10~90% @ 40°C, (non condensing)	
OS Support	Windows 7 / Windows 8.1/ Windows 10 to ENT LTSB		
Mechanical	Standard Color	Stainless Steel	
	Construction	Stainless Steel chassis	
	Mounting	VESA 75 x 75	
	IP Rating	Full IP66/IP69K Design	
	Dimensions	399mm (W) x 53mm (D) x 324mm (H)	
	Weight	7kgs	
	Certification	CE/FCC Class A	



UNIT: mm
Tolerance: ±0.5

Note: All Specifications are subject to change without prior notice.