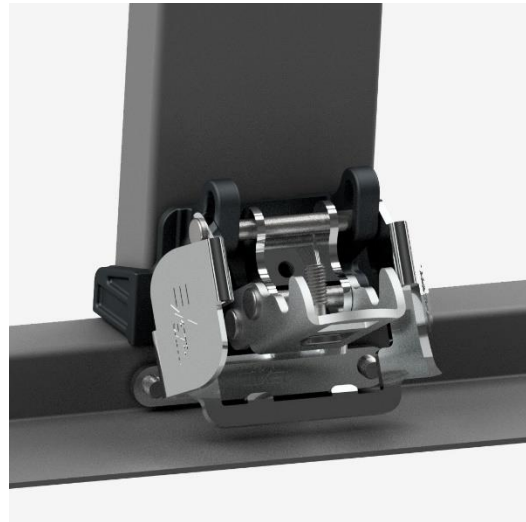
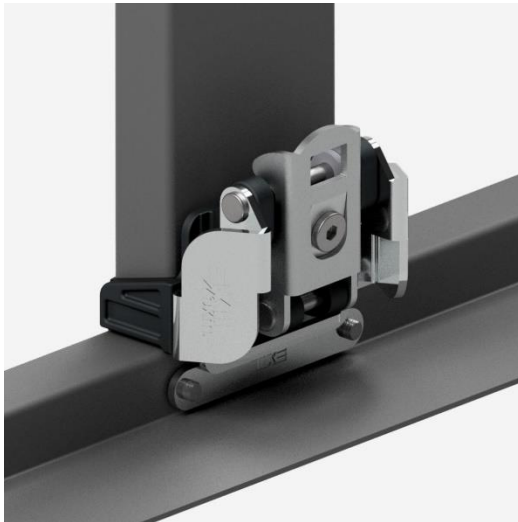




Improved center post assembly on Type 4,12 double door enclosures



Easily remove or install the center post on double door enclosures using EXM's innovative latching system



The center post's rugged latch system maintains the enclosure's Type rating.

Used on Wall Mount enclosures and Free-Standing double door cabinets having a Type 4,12 rating that includes the following product series:

[5412 ESDD](#), [5412 ESSDD](#), [5412 DDS](#), [5412 SSDD](#), [9412 DD](#) and [9412 SSDD](#).