

Switch Mode Power Supply

S8VK-G (15/30/60/120/240/480-W Models)**Reliable and Easy Operation-Worldwide Power Supply****Resistant in tough environments****Easy and fast installation****The most compact class on the market**

- Universal input for worldwide applications:
100 to 240 VAC (85 to 264 VAC)
- DC input can be available: 90 to 350 VDC
- Possible for 2 phases input usage.
- Wide operation temperature range: -40 to 70 °C
- Power Boost function at 120%
- Safety standards:
UL508/60950-1, CSA C22.2 No. 107.1/60950-1
EN50178, EN60950-1.
Lloyd's standards, EN60204-1 PELV
Safety of Power Transformers: EN61558-2-16
- ANSI/ISA 12.12.01 (excluding 480-W models)
- CSA C22.2 No.213 (excluding 480-W models)
- 15-W,30-W, and 60-W models conform to
UL Class 2 output Standards
- EMS: EN 61204-3
EMI: EN61204-3 Class B
- Three years Warranty *1



Refer to *Safety Precautions for All Power Supplies and Safety Precautions* on page 17.

*1.Three years warranty conditions: Rated input voltage, 80% load, Ambient operating temperature: 40°C, Standard mounting

S8VK-G

Model Number Structure

Model Number Legend

Note: Not all combinations are possible. Refer to *List of Models in Ordering Information*, below.

S8VK-
 1 2 3

1. Input voltage types

G: Single phase

2. Power Ratings

015: 15 W
 030: 30 W
 060: 60 W
 120: 120 W
 240: 240 W
 480: 480 W

3. Output voltage

05: 5 V
 12: 12 V
 24: 24 V
 48: 48 V

Ordering Information

Note: For details on normal stock models, contact your nearest OMRON representative.

Power ratings	Input voltage	Output Voltage	Output current	Boost Current	Model number
15 W	Single phase 100 to 240 VAC 90 to 350 VDC	5 V	3 A	3.6 A	S8VK-G01505
		12 V	1.2 A	1.44 A	S8VK-G01512
		24 V	0.65 A	0.78 A	S8VK-G01524
30 W		5 V	5 A	6 A	S8VK-G03005
		12 V	2.5 A	3 A	S8VK-G03012
		24 V	1.3 A	1.56 A	S8VK-G03024
60 W		12 V	4.5 A	5.4 A	S8VK-G06012
		24 V	2.5 A	3 A	S8VK-G06024
120 W		24 V	5 A	6 A	S8VK-G12024
240 W		24 V	10 A	12 A	S8VK-G24024
		48 V	5 A	6 A	S8VK-G24048
480 W		24 V	20 A	24 A	S8VK-G48024
	48 V	10 A	12 A	S8VK-G48048	

Specifications

Ratings, Characteristics, and Functions

Item	Power ratings		15 W			30 W		
	Output voltage		5 V	12 V	24 V	5 V	12 V	24 V
Efficiency (Typical)	230 VAC input		77%			82%		
Input	Voltage *1		100 to 240 VAC, 90 to 350 VDC (allowable range: 85 to 264 VAC) *6					
	Frequency *1		50/60 Hz (47 to 450 Hz)					
	Current (Typical)	115 VAC input	0.32 A	0.3 A	0.31 A	0.5 A	0.57 A	0.58 A
		230 VAC input	0.2 A	0.21 A	0.2 A	0.32 A	0.37 A	0.36 A
	Power factor (Typical)	230 VAC input	0.42			0.43	0.42	0.43
	Harmonic current emissions		Conforms to EN61000-3-2					
	Leakage current (Typical)	115 VAC input	0.14 mA			0.13 mA		
		230 VAC input	0.25 mA			0.24 mA		
Inrush current (Typical) *2	115 VAC input	16 A						
	230 VAC input	32 A						
Output	Voltage adjustment range *3		-10% to 15% (with V.ADJ) (guaranteed)					
	Ripple *4	at 20 MHz (Typical)	60 mV	50 mV	30 mV	30 mV	30 mV	30 mV
	Input variation influence		0.5% max. (at 85 to 264 VAC input, 100% load)					
	Load variation Influence (Rated Input voltage)		3.0% max. (5 V), 2.0% max. (12 V), 1.5% max. (24 V), at 0% to 100% load					
	Temperature variation influence		0.05%/°C max.					
	Start up time (Typical) *2	115 VAC input	530 ms	520 ms	580 ms	550 ms	550 ms	600 ms
		230 VAC input	330 ms	400 ms	400 ms	430 ms	490 ms	480 ms
	Hold time (Typical) *2	115 VAC input	28 ms	29 ms	32 ms	33 ms	36 ms	23 ms
230 VAC input		134 ms	138 ms	134 ms	177 ms	170 ms	154 ms	
Additional functions	Overload protection *2		121% to 160% of rated load current (130% typ value)					
	Overvoltage protection *2		Yes *5					
	Power Boost		120% of rated current (Refer to Engineering Data)					
	Parallel operation		Yes (Refer to Engineering Data)					
	Series operation		Possible for up to two Power Supplies (with external diode)					
Others	Ambient operating temperature		-40 to 70°C (Refer to Engineering Data)					
	Storage temperature		-40 to 85°C					
	Ambient operating humidity		0% to 95% (Storage humidity: 0% to 95%)					
	Dielectric strength (detection current: 20 mA)		3.0 kVAC for 1 min. (between all inputs and outputs) 2.0 kVAC for 1 min. (between all inputs and PE terminal) 1.0 kVAC for 1 min. (between all outputs and PE terminal)					
	Insulation resistance		100 MΩ min. (between all outputs and all inputs/ PE terminals) at 500 VDC					
	Vibration resistance		10 to 55 Hz, 0.375-mm single amplitude for 2 h each in X, Y, and Z directions 10 to 150 Hz, 0.35-mm single amplitude (5 G max.) for 80 min. each in X, Y, and Z directions					
	Shock resistance		150 m/s ² , 3 times each in ±X, ±Y, and ±Z directions					
	Output indicator		Yes (color: green), lighting from 80% to 90% or more of rated voltage					
	EMI	Conducted Emission	Conforms to EN61204-3 EN55011 Class B and based on FCC Class A					
		Radiated Emission	Conforms to EN61204-3 EN55011 Class B					
	EMS		Conforms to EN61204-3 high severity levels					
	Approved Standards		UL Listed: UL508 (Listing, Class2 Output: Per UL1310) UL UR: UL60950-1 (Recognition) cUL: CSA C22.2 No.107.1 (Class2 Output: Per CSA C22.2 No.223) cUR: CSA C22.2 No.60950-1 EN/VDE: EN50178, EN60950-1 Lloyd's standards *7 ANSI/ISA 12.12.01 CSA C22.2 No.213					
	Fulfilled Standards		SELV (EN60950-1/EN50178/UL60950-1), PELV (EN60204-1, EN50178), Safety of Power Transformers (EN61558-2-16) EN50274 for Terminal parts					
	Degree of protection		IP20 by EN / IEC60529					
	SEMI		Conforms to F47-0706 (200 to 240 VAC)					
Weight		150 g			195 g			

*1. Do not use an inverter output for the Power Supply. Inverters with an output frequency of 50/60 Hz are available, but the rise in the internal temperature of the Power Supply may result in ignition or burning.

*2. For a cold start at 25°C. Refer to *Engineering Data* on page 11 for details.

*3. If the output voltage adjuster (V. ADJ) is turned, the voltage will increase by more than +15% of the voltage adjustment range. When adjusting the output voltage, confirm the actual output voltage from the Power Supply and be sure that the load is not damaged.

*4. A characteristic when the ambient operating temperature is between -25 to 70°C.

*5. To reset the protection, turn OFF the input power for three minutes or longer and then turn it back ON.

*6. Safety Standards for a DC Input

The following safety standards apply to a DC input: UL 60950-1, cUR (CSA C22.2 No. 60950-1), EN 50178, EN 60950-1, and Lloyd's.

For a DC input, safety is ensured by an external fuse. Select an external fuse that meets the following conditions.

S8VK-G015□□: 350 VDC min, 3 A
S8VK-G030□□: 350 VDC min, 4 A

*7. Clamp filter "ZCAT2035-0930" manufactured by TDK Corporation. or equivalent should be installed in the cable connected to the input - output terminals of S8VK-G series. Noise filter "FN2080-10-06" manufactured by SCHAFFNER Corporation. or equivalent should be connected to the Input terminals of S8VK-G series.

S8VK-G

Item	Power ratings		60 W		120 W
	Output voltage		12 V	24 V	24 V
Efficiency (Typical)	230 VAC input		85%	88%	89%
Input	Voltage *1		100 to 240 VAC, 90 to 350 VDC (allowable range: 85 to 264 VAC) *6		
	Frequency *1		50/60 Hz (47 to 450 Hz)		50/60 Hz (47 to 63 Hz)
	Current (Typical)	115 VAC input	1.0 A	1.1 A	1.3 A
		230 VAC input	0.6 A	0.7 A	
	Power factor (Typical)	230 VAC input	0.46	0.45	0.94
	Harmonic current emissions		Conforms to EN61000-3-2		
	Leakage current (Typical)	115 VAC input	0.16 mA		0.24 mA
		230 VAC input	0.30 mA		0.38 mA
Inrush current (Typical) *2	115 VAC input	16 A			
	230 VAC input	32 A			
Output	Voltage adjustment range *3		-10% to 15% (with V.ADJ) (guaranteed)		
	Ripple *4	at 20 MHz (Typical)	150 mV	50 mV	150 mV
	Input variation influence		0.5% max. (at 85 to 264 VAC input, 100% load)		
	Load variation Influence (Rated Input voltage)		2.0% max. (12 V), 1.5% max. (24 V), at 0% to 100% load		
	Temperature variation influence		0.05%/°C max.		
	Start up time (Typical) *2	115 VAC input	570 ms	650 ms	790 ms
		230 VAC input	430 ms	500 ms	750 ms
	Hold time (Typical) *2	115 VAC input	26 ms	25 ms	42 ms
230 VAC input		139 ms	129 ms	42 ms	
Additional functions	Overload protection *2		121% to 160% of rated load current, (130% typ value)		121% to 160% of rated load current, (125% typ value)
	Overvoltage protection *2		Yes *5		
	Power Boost		120% of rated current (Refer to Engineering Data)		
	Parallel operation		Yes (Refer to Engineering Data)		
	Series operation		Possible for up to two Power Supplies (with external diode)		
Others	Ambient operating temperature		-40 to 70°C (Refer to Engineering Data)		
	Storage temperature		-40 to 85°C		
	Ambient operating humidity		0% to 95% (Storage humidity: 0% to 95%)		
	Dielectric strength (detection current: 20 mA)		3.0 kVAC for 1 min. (between all inputs and outputs) 2.0 kVAC for 1 min. (between all inputs and PE terminal) 1.0 kVAC for 1 min. (between all outputs and PE terminal)		
	Insulation resistance		100 MΩ min. (between all outputs and all inputs/ PE terminals) at 500 VDC		
	Vibration resistance		10 to 55 Hz, 0.375-mm single amplitude for 2 h each in X, Y, and Z directions 10 to 150 Hz, 0.35-mm single amplitude (5 G max.) for 80 min. each in X, Y, and Z directions		
	Shock resistance		150 m/s ² , 3 times each in ±X, ±Y, and ±Z directions		
	Output indicator		Yes (color: green), lighting from 80% to 90% or more of rated voltage		
	EMI	Conducted Emission	Conforms to EN61204-3 EN55011 Class B and based on FCC Class A		
		Radiated Emission	Conforms to EN61204-3 EN55011 Class B		
	EMS		Conforms to EN61204-3 high severity levels		
	Approved Standards		UL Listed: UL508 (Listing, For 60 W only Class2 Output: Per UL1310) UL UR: UL60950-1 (Recognition) cUL: CSA C22.2 No.107.1 (For 60 W only Class2 Output: Per CSA C22.2 No.223) cUR: CSA C22.2 No.60950-1 EN/VDE: EN50178, EN60950-1 Lloyd's standards *7 ANSI/ISA 12.12.01 CSA C22.2 No.213		
	Fulfilled Standards		SELV (EN60950-1/EN50178/UL60950-1), PELV(EN60204-1, EN50178), Safety of Power Transformers (EN61558-2-16) EN50274 for Terminal parts		
	Degree of protection		IP20 by EN / IEC60529		
	SEMI		Conforms to F47-0706 (200 to 240 VAC)		
	Weight		260 g		620 g

- *1. Do not use an inverter output for the Power Supply. Inverters with an output frequency of 50/60 Hz are available, but the rise in the internal temperature of the Power Supply may result in ignition or burning.
- *2. For a cold start at 25°C. Refer to *Engineering Data* on page 11 for details.
- *3. If the output voltage adjuster (V. ADJ) is turned, the voltage will increase by more than +15% of the voltage adjustment range. When adjusting the output voltage, confirm the actual output voltage from the Power Supply and be sure that the load is not damaged.
- *4. A characteristic when the ambient operating temperature is between -25 to 70°C.
- *5. To reset the protection, turn OFF the input power for three minutes or longer and then turn it back ON.

- *6. Safety Standards for a DC Input
The following safety standards apply to a DC input: UL 60950-1, cUR (CSA C22.2 No. 60950-1), EN 50178, EN 60950-1, and Lloyd's.
For a DC input, safety is ensured by an external fuse. Select an external fuse that meets the following conditions.
S8VK-G060□□: 350 VDC min, 6 A
S8VK-G12024: 350 VDC min, 5 A
- *7. Clamp filter "ZCAT2035-0930" manufactured by TDK Corporation. or equivalent should be installed in the cable connected to the input - output terminals of S8VK-G series. Noise filter "FN2080-10-06" manufactured by SCHAFFNER Corporation. or equivalent should be connected to the Input terminals of S8VK-G series.

Item	Power ratings		240 W		480 W	
	Output voltage		24 V	48 V	24 V	48 V
Efficiency (Typical)	230 VAC input		92%		93%	
Input	Voltage *1		100 to 240 VAC, 90 to 350 VDC (allowable range: 85 to 264 VAC) *6			
	Frequency *1		50/60 Hz (47 to 63 Hz)			
	Current (Typical)	115 VAC input	2.4 A		4.7 A	
		230 VAC input	1.3 A		2.3 A	
	Power factor (Typical)	230 VAC input	0.9		0.97	
	Harmonic current emissions		Conforms to EN61000-3-2			
	Leakage current (Typical)	115 VAC input	0.23 mA		0.3 mA	
230 VAC input		0.33 mA		0.49 mA		
Inrush current (Typical) *2	115 VAC input	16 A				
	230 VAC input	32 A				
Output	Voltage adjustment range *3		-10% to 15% (with V.ADJ) (guaranteed)			
	Ripple *4	at 20 MHz (Typical)	180 mV	350 mV	230 mV	470 mV
	Input variation influence		0.5% max. (at 85 to 264 VAC input, 100% load)			
	Load variation Influence (Rated Input voltage)		1.5% max. (24 V, 48 V), at 0% to 100% load			
	Temperature variation influence		0.05%/°C max.			
	Start up time (Typical) *2	115 VAC input	250 ms	290 ms	380 ms	
		230 VAC input	250 ms	290 ms	260 ms	
Hold time (Typical) *2	115 VAC input	44 ms	43 ms	40 ms		
	230 VAC input	44 ms		50 ms		
Additional functions	Overload protection *2		121% to 160% of rated load current (130% typ value)			
	Overvoltage protection *2		Yes *5			
	Power Boost		120% of rated current (Refer to Engineering Data)			
	Parallel operation		Yes (Refer to Engineering Data)			
	Series operation		Possible for up to two Power Supplies (with external diode)			
Others	Ambient operating temperature		-40 to 70°C (Refer to Engineering Data)			
	Storage temperature		-40 to 85°C			
	Ambient operating humidity		0% to 95% (Storage humidity: 0% to 95%)			
	Dielectric strength (detection current: 20 mA)		3.0 kVAC for 1 min. (between all inputs and outputs) 2.0 kVAC for 1 min. (between all inputs and PE terminal) 1.0 kVAC for 1 min. (between all outputs and PE terminal)			
	Insulation resistance		100 MΩ min. (between all outputs and all inputs/ PE terminals) at 500 VDC			
	Vibration resistance		10 to 55 Hz, 0.375-mm single amplitude for 2 h each in X, Y, and Z directions			
	Shock resistance		150 m/s ² , 3 times each in ±X, ±Y, and ±Z directions			
	Output indicator		Yes (color: green), lighting from 80% to 90% or more of rated voltage			
	EMI	Conducted Emission	Conforms to EN61204-3 EN55011 Class B and based on FCC Class A			
		Radiated Emission	Conforms to EN61204-3 EN55011 Class B			
	EMS		Conforms to EN61204-3 high severity levels			
	Approved Standards		UL Listed: UL508 (Listing) UL UR: UL60950-1 (Recognition) cUL: CSA C22.2 No.107.1 cUR: CSA C22.2 No.60950-1 EN/VDE: EN50178, EN60950-1 Lloyd's standards *7 ANSI/ISA 12.12.01 (excluding 480-W models) CSA C22.2 No.213 (excluding 480-W models)			
	Fulfilled Standards		SELV (EN60950-1/EN50178/UL60950-1), PELV(EN60204-1, EN50178), Safety of Power Transformers (EN61558-2-16) EN50274 for Terminal parts			
	Degree of protection		IP20 by EN / IEC60529			
	SEMI		Conforms to F47-0706 (200 to 240 VAC)			
Weight		900 g		1,500 g		

*1. Do not use an inverter output for the Power Supply. Inverters with an output frequency of 50/60 Hz are available, but the rise in the internal temperature of the Power Supply may result in ignition or burning.

*2. For a cold start at 25°C. Refer to *Engineering Data* on page 11 for details.

*3. If the output voltage adjuster (V. ADJ) is turned, the voltage will increase by more than +15% of the voltage adjustment range. When adjusting the output voltage, confirm the actual output voltage from the Power Supply and be sure that the load is not damaged.

*4. A characteristic when the ambient operating temperature is between -25 to 70°C.

*5. To reset the protection, turn OFF the input power for three minutes or longer and then turn it back ON.

*6. Safety Standards for a DC Input

The following safety standards apply to a DC input: UL 60950-1, cUR (CSA C22.2 No. 60950-1), EN 50178, EN 60950-1, and Lloyd's.

For a DC input, safety is ensured by an external fuse.

Select an external fuse that meets the following conditions.

S8VK-G240□□: 350 VDC min, 8 A

S8VK-G480□□: 350 VDC min, 12 A

*7. Shipping Standards

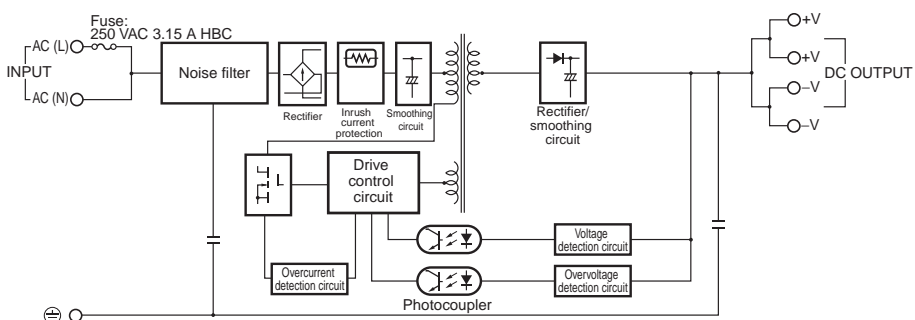
Clamp filter "ZCAT2035-0930" manufactured by TDK Corporation. or equivalent should be installed in the cable connected to the input - output terminals of S8VK-G series. Noise filter "FN2080-10-06" manufactured by SCHAFFNER Corporation. or equivalent should be connected to the Input terminals of S8VK-G series.

S8VK-G

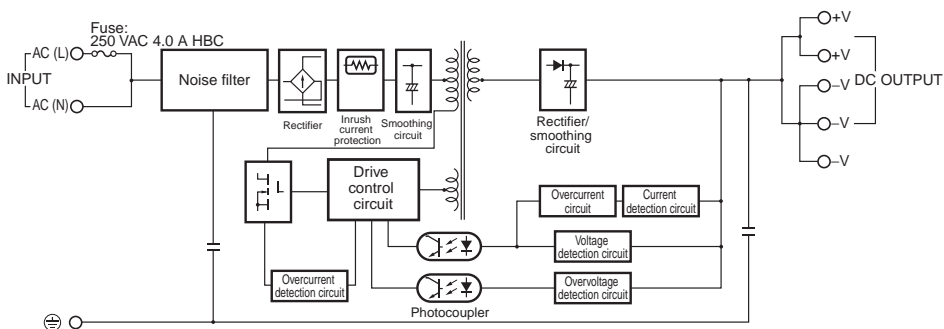
Connections

Block Diagrams

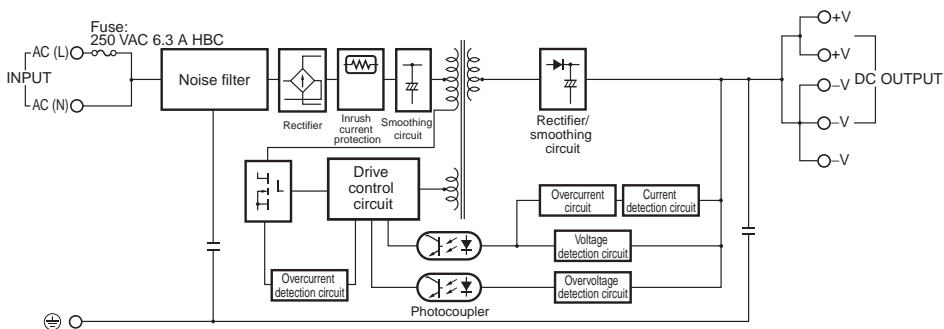
S8VK-G015□□ (15 W)



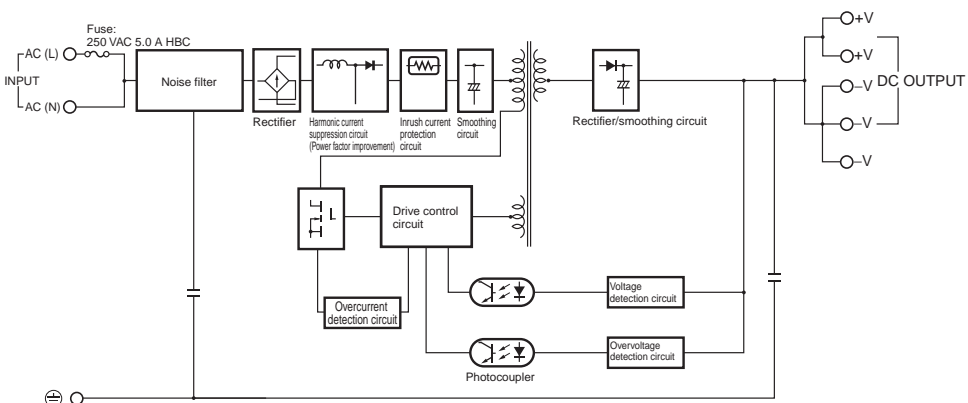
S8VK-G030□□ (30 W)



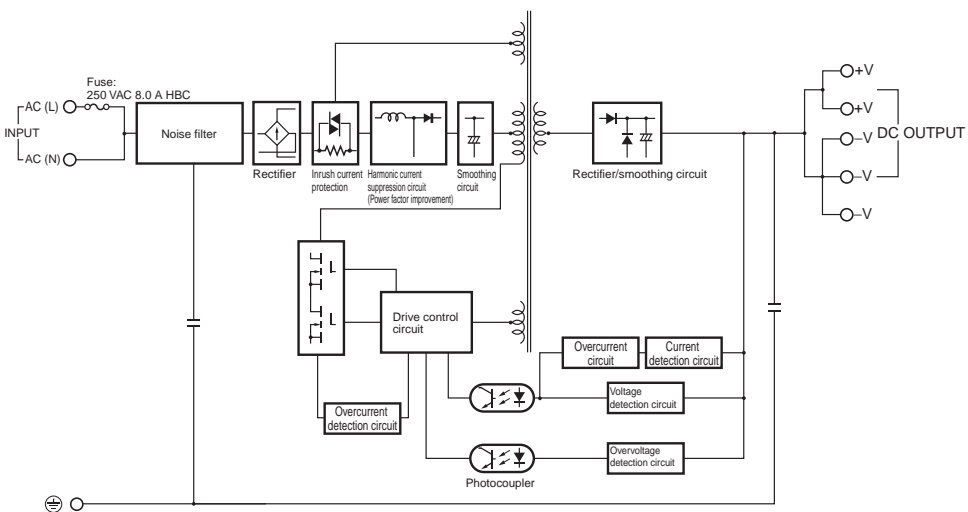
S8VK-G060□□ (60 W)



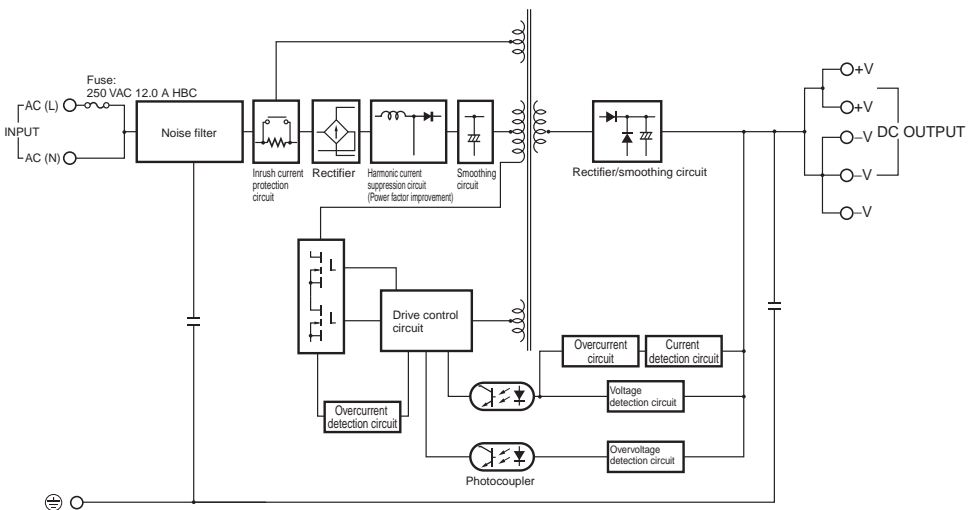
S8VK-G12024 (120 W)



S8VK-G240 (240 W)



S8VK-G480 (480 W)



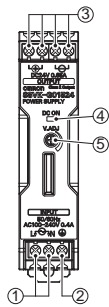
S8VK-G

Construction and Nomenclature

Nomenclature

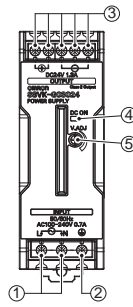
15-W Models

S8VK-G015□□



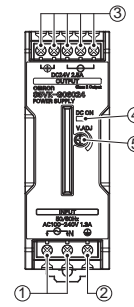
30-W Models

S8VK-G030□□



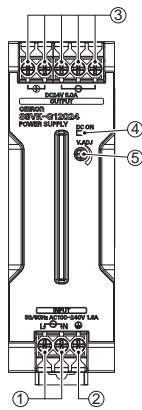
60-W Models

S8VK-G060□□



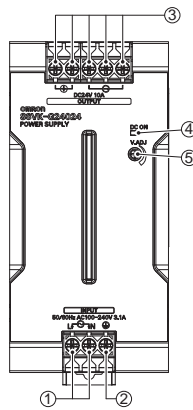
120-W Models

S8VK-G12024



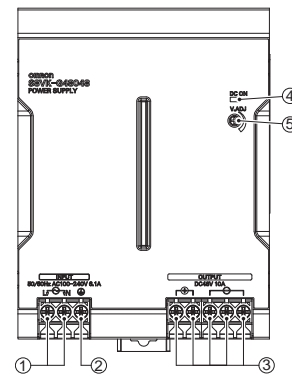
240-W Models

S8VK-G240□□



480-W Models

S8VK-G480□□



No.	Name	Function
1	Input terminals (L), (N)	Connect the input lines to these terminals. *1
2	Protective Earth terminal (PE)	Connect the ground line to this terminal. *2
3	DC Output terminals (-V), (+V)	Connect the load lines to these terminals.
4	Output indicator (DC ON: Green)	Lights while a direct current (DC) output is ON.
5	Output voltage adjuster (V.ADJ)	Use to adjust the voltage.

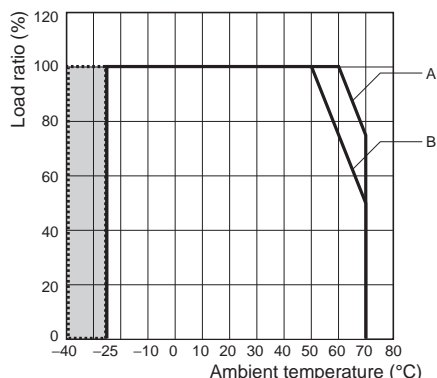
*1. The fuse is located on the (L) side. It is not user-replaceable. For a DC input, connect the positive voltage to the L terminal.

*2. This is the protective earth terminal specified in the safety standards. Always ground this terminal.

Engineering Data

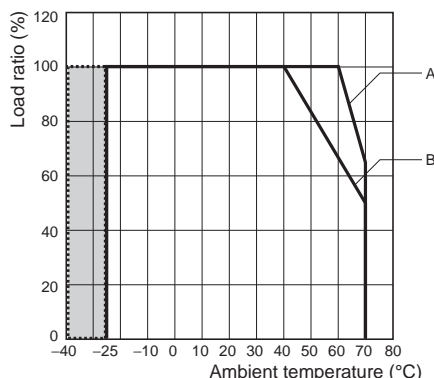
Derating Curve

15, 30, 240 W (S8VK-G015□□, S8VK-G030□□, S8VK-G240□□)



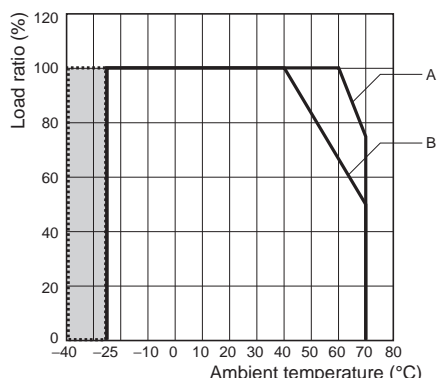
- Note:**
- At less than 90 VAC, the derating is 2.5%/V
 - For a DC power input, reduce the load given in the above derating curve by multiplying the following coefficients.
 S8VK-G015□□: 1.0
 S8VK-G030□□: 0.9
 S8VK-G240□□: 0.8
 - See “-40°C Operation Guarantee Condition”
- A.** Standard mounting
 60°C and over: the derating is 2.5%/°C
- B.** Face-up mounting / Side mounting (15W only)
 50°C and over: the derating is 2.5%/°C

120 W (S8VK-G12024)



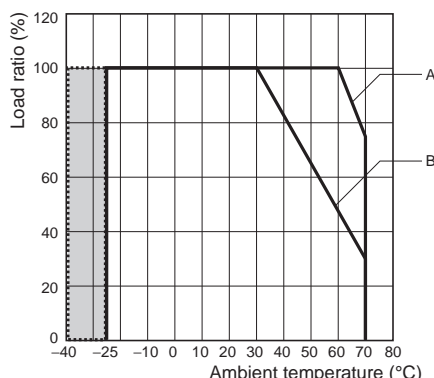
- Note:**
- At less than 90 VAC, the derating is 2.5%/V
 - For a DC power input, reduce the load given in the above derating curve by multiplying the following coefficients.
 S8VK-G12024: 0.9
 - See “-40°C Operation Guarantee Condition”
- A.** Standard mounting
 60°C and over: the derating is 3.5%/°C
- B.** Face-up mounting
 40°C and over: the derating is 1.67%/°C

60 W (S8VK-G060□□)



- Note:**
- At less than 90 VAC, the derating is 2.5%/V
 - For a DC power input, reduce the load given in the above derating curve by multiplying the following coefficients.
 S8VK-G060□□: 0.9
 - See “-40°C Operation Guarantee Condition”
- A.** Standard mounting
 60°C and over: the derating is 2.5%/°C
- B.** Face-up mounting
 40°C and over: the derating is 1.67%/°C

480 W (S8VK-G480□□)



- Note:**
- At less than 90 VAC, the derating is 2.5%/V
 - For a DC power input, reduce the load given in the above derating curve by multiplying the following coefficients.
 S8VK-G480□□: 0.8
 - See “-40°C Operation Guarantee Condition”
- A.** Standard mounting
 60°C and over: the derating is 2.5%/°C
- B.** Face-up mounting
 30°C and over: the derating is 1.75%/°C

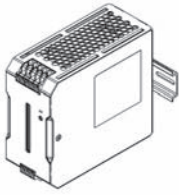
-40°C Operation Guarantee Condition

The unit can start up and operate normally at -40°C, but the following criteria will be inferior to the values of datasheet. Please consider these influences.

		15 W 5 V	15 W 12 V	15 W 24 V	30 W 5 V	30 W 12 V	30 W 24 V	60 W 12 V	60 W 24 V	120 W 24 V	240 W 24 V	240 W 48 V	480 W 24 V	480 W 48 V
Ripple (Typ.)	230 VAC input	280 mV	170 mV	100 mV	110 mV	330 mV	180 mV	200 mV	420 mV	440 mV	840 mV	1220 mV	460 mV	580 mV
Ripple (Max.)	230 VAC input	830 mV	450 mV	220 mV	240 mV	630 mV	290 mV	480 mV	430 mV	450 mV	1030 mV	1320 mV	670 mV	870 mV
Start up time (Typ.)	230 VAC input	420 ms	440 ms	490 ms	410 ms	440 ms	480 ms	420 ms	490 ms	760 ms	230 ms	280 ms	260 ms	260 ms
Hold time (Typ.)	230 VAC input	88 ms	110 ms	109 ms	137 ms	112 ms	114 ms	124 ms	118 ms	20 ms	35 ms	37 ms	39 ms	41 ms

Mounting

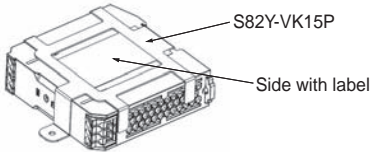
(A) Standard (Vertical) mounting



(B) Face-up mounting



(C) Side mounting only for 15 W



Side mounting only for S8VK-G015□□.

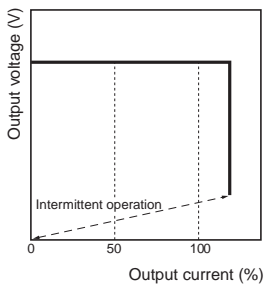
Use a mounting bracket (S82Y-VK15P, sold separately) when the product is mounted horizontally. Heat dissipation will be adversely affected. When the product is mounted facing horizontally, always place the side with label facing horizontally.

Overload Protection

The load and the power supply are automatically protected from overcurrent damage by this function.

Overload protection is activated if the output current rises above 121% of the rated current.

When the output current returns within the rated range overload protection is automatically cleared.



The values shown in the above diagrams are for reference only.

- Note: 1.** Internal parts may occasionally deteriorate or be damaged if a short-circuited or overcurrent state continues during operation.
- 2.** Internal parts may possibly deteriorate or be damaged if the Power Supply is used for applications with frequent inrush current or overloading at the load end. Do not use the Power Supply for such applications.

Power Boost Function

For All Models

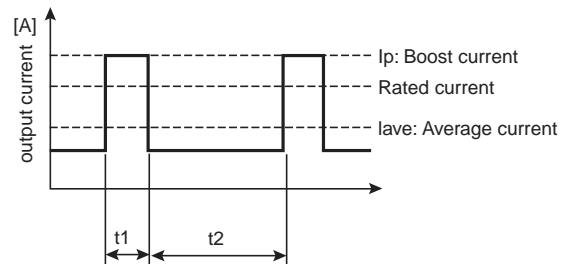
Power Boost is a function that can output the temporary repeated boost current larger than the rated current. However, it should meet the following four Boost current conditions.

1. Time that the boost current flows: t_1
2. The maximum value of the boost current: I_p
3. The average output current: I_{ave}
4. The time ratio of the boost current flow: Duty

Note: Boost current conditions

- $t_1 \leq 10$ s
- $I_p \leq$ Rated boost current
- $I_{ave} \leq$ Rated current

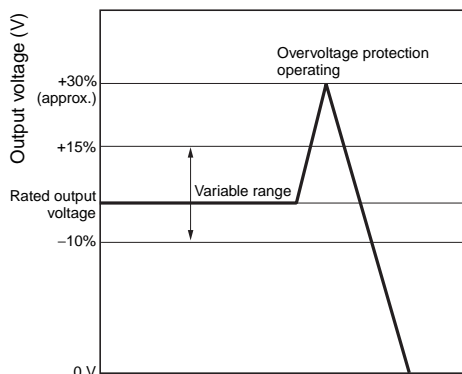
$$\text{Duty} = \frac{t_1}{t_1 + t_2} \times 100 [\%] \leq 30\%$$



- Do not allow the boost current to continue for more than 10 seconds. Also, do not let the duty cycle exceed the boost current conditions. These conditions may damage the Power supply.
- Ensure that the average current of one cycle of the boost current does not exceed the rated output current. This may damage the Power Supply.
- Lessen the load of the boost load current by adjusting the ambient temperature and the mounting direction.

Overvoltage Protection

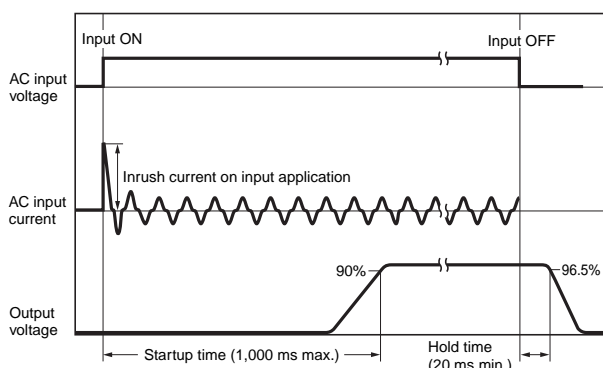
Consider the possibility of an overvoltage and design the system so that the load will not be subjected to an excessive voltage even if the feedback circuit in the Power Supply fails. If an excessive voltage that is approximately 130% of the rated voltage or more is output, the output voltage is shut OFF. Reset the input power by turning it OFF for at least three minutes and then turning it back ON again.



The values shown in the above diagram is for reference only.

Note: Do not turn ON the power again until the cause of the overvoltage has been removed.

Inrush Current, Startup Time, Output Hold Time

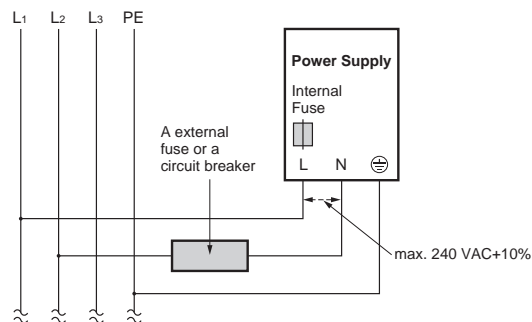


Note: Twice the input current or above will flow during the parallel operation or redundant system. Therefore, check the fusing characteristics of fuses and operating characteristics of breakers making sure that the external fuses will not burn out and the circuit breakers will not be activated by the inrush current.

Two phases application for Single phase models For All Single phase Models, S8VK-G

Basically OMRON single phase power supply can be used on two-phases of a 3-phase-system when some of conditions satisfy like below.

1. The supplying voltage is below the maximum rated input. OMRON Power supply allows the input voltage equivalent or less than 240 VAC+10%. Please confirm the input voltage between two lines if the input voltage satisfies this condition before connecting.
2. The external protector is needed on N input line to secure a safety. N line has no protection of a fuse internally. An appropriate fuse or circuit breaker should be connected on N input line like the following.

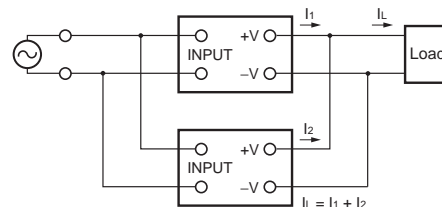


Parallel Operation

The parallel operation of S8VK-G is possible to increase the output power.

However please consider the following notes when the parallel operation must be done.

1. The range of ambient temperature for Parallel operation is -25 to 40°C
2. Up to two of the same model can be connected in parallel.
3. Adjust the output voltage difference of each Power Supply to 50 mV or less, using the output voltage adjuster (V. ADJ).
4. There is no current balancing function for S8VK-G. A high output voltage unit may work at overcurrent state and in this situation, a life of a Power Supply will be extremely short. After adjusting the output voltage, confirm the output current of the two Power Supplies balances.
5. Using the parallel operation will not satisfy UL1310 Class2 output.
6. For Parallel Operation, to balance the current of the each unit, the length and thickness of each wire connected to the load and each unit must be same as much as possible.
7. For Parallel Operation with units 120 W or less, connect diodes or S8VK-R to the outputs of each unit if sudden load variation influence occurs in the ambient operation environment.



Reference Value

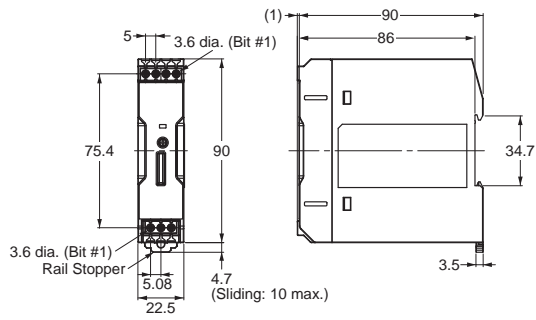
	Value
Reliability (MTBF)	Single phase model
	15 W: 600,000 hrs
	30 W: 580,000 hrs
	60 W: 590,000 hrs
	120 W: 450,000 hrs
	240 W: 360,000 hrs
	480 W: 230,000 hrs
Definition	MTBF stands for Mean Time Between Failures, which is calculated according to the probability of accidental device failures, and indicates reliability of devices. Therefore, it does not necessarily represent a life of the product.
Life expectancy	10 yrs. Min.
Definition	The life expectancy indicates average operating hours under the ambient temperature of 40°C and a load rate of 50%. Normally this is determined by the life expectancy of the built-in aluminum electrolytic capacitor.

S8VK-G

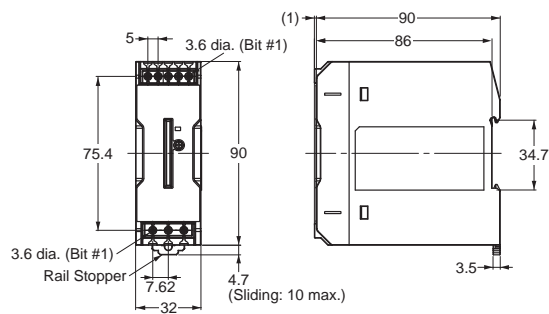
Dimensions

(Unit: mm)

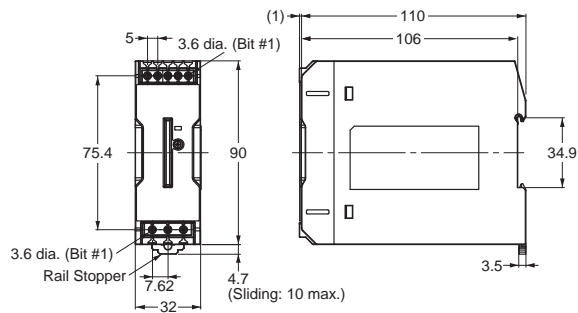
S8VK-G015□□ (15 W)



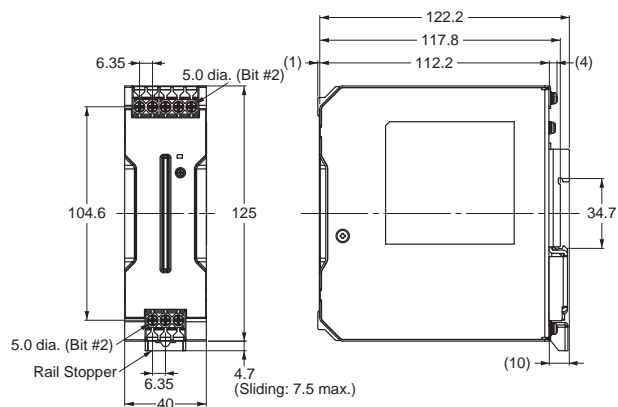
S8VK-G030□□ (30 W)



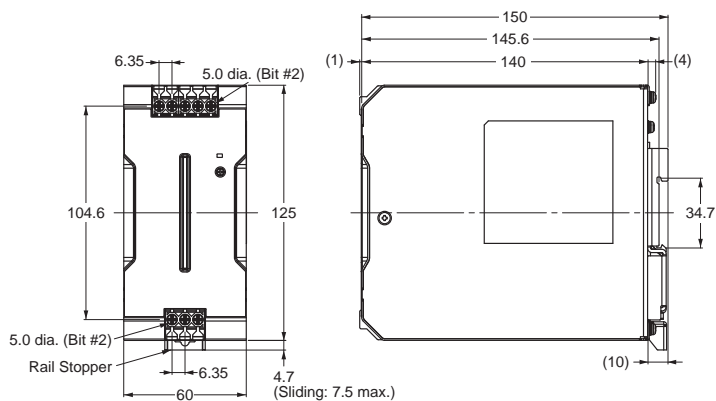
S8VK-G060□□ (60 W)



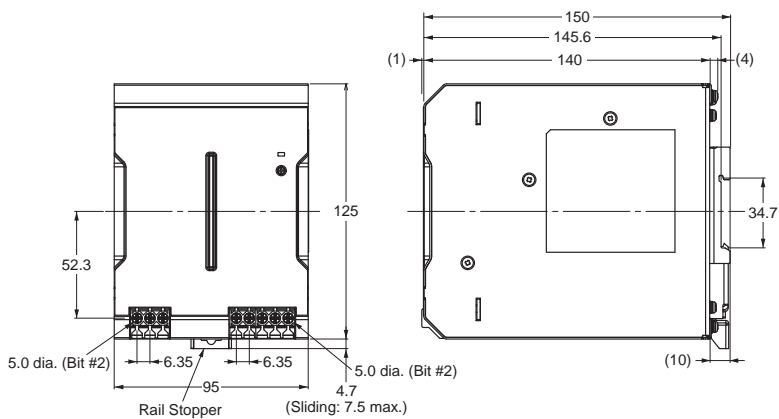
S8VK-G12024 (120 W)



S8VK-G240 (240 W)



S8VK-G480 (480 W)

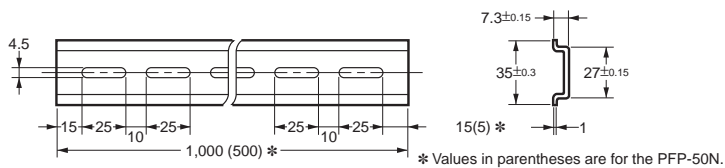
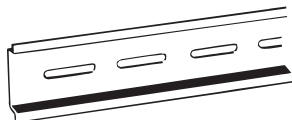


DIN Rail (Order Separately)

Note: All units are in millimeters unless otherwise indicated.

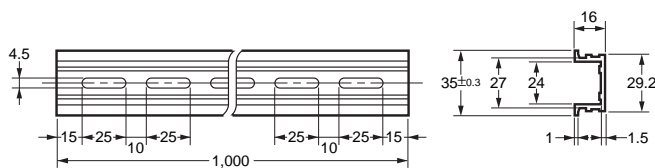
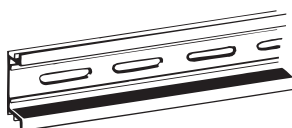
Mounting Rail (Material: Aluminum)

PFP-100N
PFP-50N



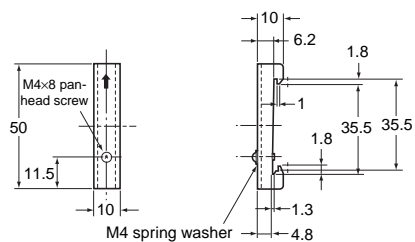
Mounting Rail (Material: Aluminum)

PFP-100N2



End Plate

PFP-M



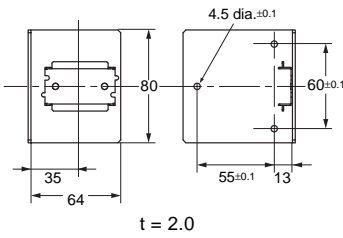
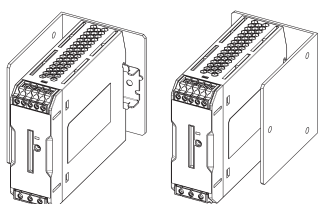
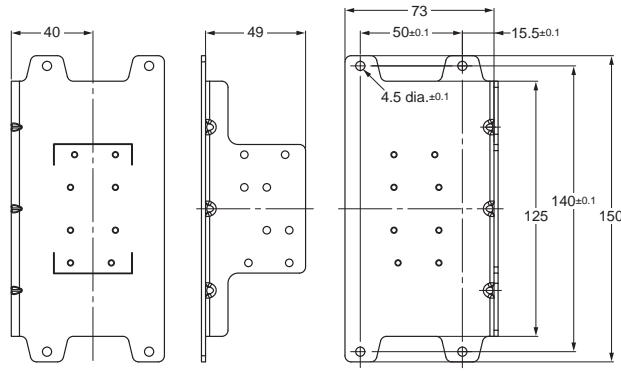
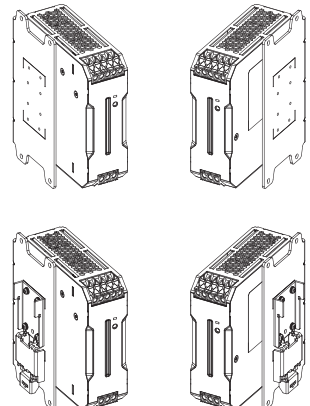
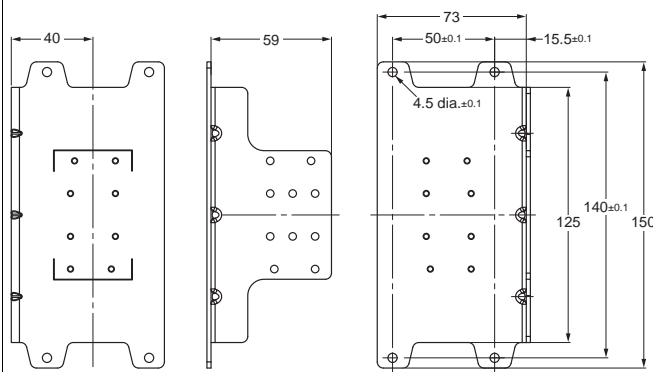
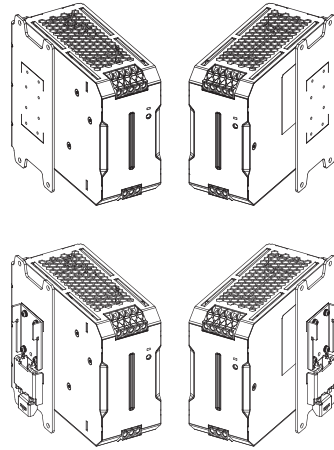
Note: If there is a possibility that the Unit will be subject to vibration or shock, use a steel DIN Rail. Otherwise, metallic filings may result from aluminum abrasion.

Mounting Brackets

Name	Model
Front-mounting bracket (for 15, 30 and 60 W models)	S82Y-VS10F
Front-mounting bracket (for 120, 240 and 480 W models)	S82Y-VK10F
Side-mounting bracket (for 15 W models)	S82Y-VK15P
Side-mounting bracket (for 30 and 60 W models)	S82Y-VS10S
Side-mounting bracket (for 120 W models)	S82Y-VK10S
Side-mounting bracket (for 240 W models)	S82Y-VK20S


Type	Model	Dimensions	Appearance
Front-mounting bracket (For 15, 30 and 60 W models)	S82Y-VS10F		
Front-mounting bracket (for 120, 240 and 480 W models)	S82Y-VK10F		<p>(For 120 W types) (For 240 W types)</p>
Side-mounting bracket (For 15 W Models)	S82Y-VK15P		<p>Right-side mounting</p>

S8VK-G





Type	Model	Dimensions	Appearance
Side-mounting bracket (For 30 and 60 W models)	S82Y-VS10S		Left-side mounting Right-side mounting 
Side-mounting bracket (For 120 W models)	S82Y-VK10S		Left-side mounting Right-side mounting 
Side-mounting bracket (For 240 W models)	S82Y-VK20S		Left-side mounting Right-side mounting 

Safety Precautions

Warning Indications

 CAUTION	Indicates a potentially hazardous situation which, if not avoided, may result in minor or moderate injury or in property damage.
Precautions for Safe Use	Supplementary comments on what to do or avoid doing, to use the product safely.
Precautions for Correct Use	Supplementary comments on what to do or avoid doing, to prevent failure to operate, malfunction or undesirable effect on product performance.

Meaning of Product Safety Symbols

	Used to warn of the risk of electric shock under specific conditions.
	Used to warn of the risk of minor injury caused by high temperatures.
	Used for general mandatory action precautions for which there is no specified symbol.
	Use to indicate prohibition when there is a risk of minor injury from electrical shock or other source if the product is disassembled.

CAUTION

Minor electric shock, fire, or Product failure may occasionally occur. Do not disassemble, modify, or repair the Product or touch the interior of the Product.



Minor burns may occasionally occur. Do not touch the Product while power is being supplied or immediately after power is turned OFF.



Fire may occasionally occur. Tighten terminal screws to the specified torque (0.5 to 0.6 N·m).



Minor injury due to electric shock may occasionally occur. Do not touch the terminals while power is being supplied. Always close the terminal cover after wiring.



Minor electric shock, fire, or Product failure may occasionally occur. Do not allow any pieces of metal or conductors or any clippings or cuttings resulting from installation work to enter the Product.



Precautions for Safe Use

Wiring

- Connect the ground completely. A protective earthing terminal stipulated in safety standards is used. Electric shock or malfunction may occur if the ground is not connected completely.
- Minor fire may possibly occur. Ensure that input and output terminals are wired correctly.
- Do not apply more than 75-N force to the terminal block when tightening it.
- Be sure to remove the sheet covering the Product for machining before power-ON so that it does not interfere with heat dissipation.
- Use the following material for the wires to be connected to the S8VK-G to prevent smoking or ignition caused by abnormal loads.

Terminals and Wiring

Model	INPUT		OUTPUT		PE	
	American Wire Gauge	Solid Wire /Stranded Wire	American Wire Gauge	Solid Wire /Stranded Wire	American Wire Gauge	Solid Wire /Stranded Wire
S8VK-G01505	AWG24 to 12	0.25 to 4 mm ² /0.25 to 2.5 mm ²	AWG20 to 12	0.5 to 4 mm ² /0.5 to 2.5 mm ²	AWG14 or thicker	2.5 mm ² or thicker /2.5 mm ² or thicker
S8VK-G01512			AWG22 to 12	0.35 to 4 mm ² /0.35 to 2.5 mm ²		
S8VK-G01524			AWG24 to 12	0.25 to 4 mm ² /0.25 to 2.5 mm ²		
S8VK-G03005	AWG24 to 12	0.25 to 4 mm ² /0.25 to 2.5 mm ²	AWG18 to 12	0.75 to 4 mm ² /0.75 to 2.5 mm ²		
S8VK-G03012			AWG20 to 12	0.5 to 4 mm ² /0.5 to 2.5 mm ²		
S8VK-G03024			AWG22 to 12	0.35 to 4 mm ² /0.35 to 2.5 mm ²		
S8VK-G06012	AWG22 to 12	0.35 to 4 mm ² /0.35 to 2.5 mm ²	AWG18 to 12	0.75 to 4 mm ² /0.75 to 2.5 mm ²		
S8VK-G06024			AWG20 to 12	0.5 to 4 mm ² /0.5 to 2.5 mm ²		
S8VK-G12024	AWG22 to 10	0.35 to 6 mm ² /0.35 to 4 mm ²	AWG18 to 10	0.75 to 6 mm ² /0.75 to 4 mm ²		
S8VK-G24024	AWG20 to 10	0.5 to 6 mm ² /0.5 to 4 mm ²	AWG14 to 10	2.5 to 6 mm ² /2.5 to 4 mm ²		
S8VK-G24048			AWG18 to 10	0.75 to 6 mm ² /0.75 to 4 mm ²		
S8VK-G48024	AWG16 to 10	1.5 to 6 mm ² /1.5 to 4 mm ²	AWG12 to 10	4 to 6 mm ² /4 mm ²		
S8VK-G48048			AWG14 to 10	2.5 to 6 mm ² /2.5 to 4 mm ²		

- Strip I/O wires for 8 mm when using a screwless terminal block.

Note: The rated current for output terminals is 10 A per terminal.

Be sure to use multiple terminals simultaneously for current that exceeds the terminal rating.

When applying a current of 10 A or more, use at least two terminals each for the positive and negative wires.

Installation Environment

- Do not use the Power Supply in locations subject to shocks or vibrations. In particular, install the Power Supply as far away as possible from contactors or other devices that are a vibration source. For usage onboard a ship, always attach an End Plate (PFP-M) to both sides of the Power Supply to hold the Power Supply in place.
- Install the Power Supply well away from any sources of strong, high-frequency noise and surge.

Operating Life

- The life of a Power Supply is determined by the life of the electrolytic capacitors used inside. Here, Arrhenius Law applies, i.e., the life will be cut in half for each rise of 10°C or the life will be doubled for each drop of 10°C. The life of the Power Supply can thus be increased by reducing its internal temperature.

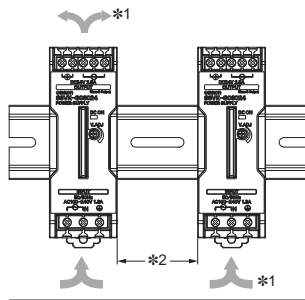
Ambient Operating and Storage Environments

- Store the Power Supply at a temperature of -40 to 85°C and a humidity of 0% to 95%.
- Do not use the Power Supply in areas outside the derating curve otherwise, internal parts may occasionally deteriorate or be damaged.
- Use the Power Supply at a humidity of 0% to 95%.
- Do not use the Power Supply in locations subject to direct sunlight.
- Do not use locations where liquids, foreign matter, or corrosive gases may enter the interior of Products.

Precautions for Correct Use

Mounting

- Take adequate measures to ensure proper heat dissipation to increase the long-term reliability of the Product. Be sure to allow convection in the atmosphere around devices when mounting. Do not use in locations where the ambient temperature exceeds the range of the derating curve.
- When cutting out holes for mounting, make sure that cuttings do not enter the interior of the Products.



*1. Convection of air
*2. 20 mm min.

- Improper mounting will interfere with heat dissipation and may occasionally result in deterioration or damage of internal parts. Use the Product within the derating curve for the mounting direction that is used.
- Use a mounting bracket when the Product is mounted facing horizontally.
- Heat dissipation will be adversely affected. When the Product is mounted facing horizontally, always place the side with the label facing upward.
- Operate the Power Supply within a range that is 5°C less than the values in the derating curve in *Engineering Data* on page 9 if the Power Supply is used with an installation spacing of 10 mm min. (20 mm max.) on the left and right.

Overcurrent Protection

- Internal parts may possibly deteriorate or be damaged if a short-circuited or overcurrent state continues during operation.
- Internal parts may possibly deteriorate or be damaged if the Power Supply is used for applications with frequent inrush current or overloading at the load end. Do not use the Power Supply for such applications.
- The DC ON indicator (green) flashes if the overload protection function operates.

Charging a Battery

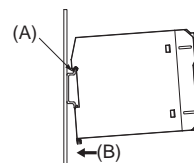
If you connect a battery as the load, install overcurrent control and overvoltage protection circuits.

Output Voltage Adjuster (V.ADJ)

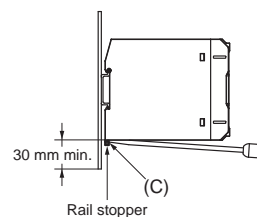
- The output voltage adjuster (V.ADJ) may possibly be damaged if it is turned with unnecessary force. Do not turn the adjuster with excessive force.
- After completing output voltage adjustment, be sure that the output capacity or output current does not exceed the rated output capacity or rated output current.

DIN Rail Mounting

To mount the Block on a DIN Rail, hook portion (A) of the Block onto the rail and press the Block in direction (B).

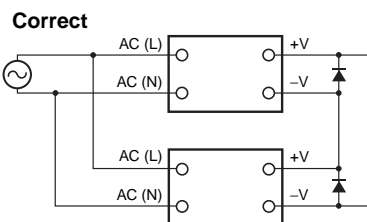


To dismount the Block, pull down portion (C) with a flat-blade screwdriver and pull out the Block.



Series Operation

Two power supplies can be connected in series.



Note: 1. The diode is connected as shown in the figure. If the load is short-circuited, a reverse voltage will be generated inside the Power Supply. If this occurs the Power Supply may possibly deteriorate or be damaged. Always connect a diode as shown in the figure. Select a diode having the following ratings.

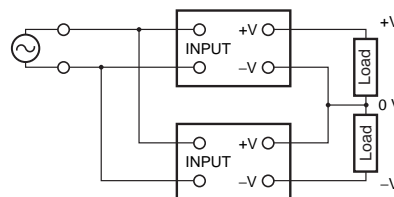
Type	Schottky Barrier diode
Dielectric strength (VRRM)	Twice the rated output voltage or above
Forward current (IF)	Twice the rated output current or above

2. Although Products having different specifications can be connected in series, the current flowing through the load must not exceed the smaller rated output current.

Making Positive/Negative Outputs

- The outputs are floating outputs (i.e., the primary circuits and secondary circuits are separated). You can therefore make positive and negative outputs by using two Power Supplies. You can make positive and negative outputs with any of the models.

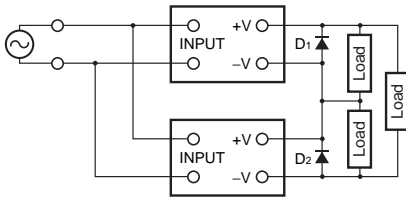
If positive and negative outputs are used, connect Power Supplies of the same model as in the following figure. (Combinations with different output capacities or output voltages can be made. However, use the lower of the two maximum rated output currents as the current to the loads.)



- Depending on the model, internal circuits may be damaged due to startup failure when the power is turned ON if loads such as a servomotor or operational amplifier may operate in series.

Therefore, connect bypass diodes (D1, D2) as shown in the following figure.

If the list of models that support series connection of outputs says that an external diode is not required, an external diode is also not required for positive/negative outputs.



- Use the following information as a guide to the diode type, dielectric strength, and current.

- Type: Schottky barrier diode
- Dielectric strength (V_{RRM}): Twice the rated Power Supply output voltage or higher
- Forward current (I_F): Twice the rated Power Supply output current or higher

Backup Operation

Backup operation can be performed with S8VK-R.
Refer to the S8VK-R Datasheet for detail.

In Case There Is No Output Voltage

The possible cause for no output voltage may be that the overcurrent or overvoltage protection has operated. The internal protection may operate if a large amount of surge voltage such as a lightning surge occurs while turning ON the power supply.

In case there is no output voltage, please check the following points before contacting us:

- Checking overload protected status:
 - Check whether the load is in overload status or is short-circuited.
 - Remove wires to load when checking.
- Checking overvoltage or internal protection:
 - Turn the power supply OFF once, and leave it OFF for at least 3 minutes. Then turn it ON again to see if this clears the condition.

Audible Noise at Power ON (120-W, 240-W, and 480-W Models)

A harmonic current suppression circuit is built into the Power Supply. This circuit can create noise when the input is turned ON, but it will last only until the internal circuits stabilize and does not indicate any problem in the Product.

Read and Understand this Catalog

Please read and understand this catalog before purchasing the product. Please consult your OMRON representative if you have any questions or comments.

Warranty and Limitations of Liability

WARRANTY

OMRON's exclusive warranty is that the products are free from defects in materials and workmanship for a period of one year (or other period if specified) from date of sale by OMRON.

OMRON MAKES NO WARRANTY OR REPRESENTATION, EXPRESS OR IMPLIED, REGARDING NON-INFRINGEMENT, MERCHANTABILITY, OR FITNESS FOR PARTICULAR PURPOSE OF THE PRODUCTS. ANY BUYER OR USER ACKNOWLEDGES THAT THE BUYER OR USER ALONE HAS DETERMINED THAT THE PRODUCTS WILL SUITABLY MEET THE REQUIREMENTS OF THEIR INTENDED USE. OMRON DISCLAIMS ALL OTHER WARRANTIES, EXPRESS OR IMPLIED.

LIMITATIONS OF LIABILITY

OMRON SHALL NOT BE RESPONSIBLE FOR SPECIAL, INDIRECT, OR CONSEQUENTIAL DAMAGES, LOSS OF PROFITS OR COMMERCIAL LOSS IN ANY WAY CONNECTED WITH THE PRODUCTS, WHETHER SUCH CLAIM IS BASED ON CONTRACT, WARRANTY, NEGLIGENCE, OR STRICT LIABILITY.

In no event shall the responsibility of OMRON for any act exceed the individual price of the product on which liability is asserted.

IN NO EVENT SHALL OMRON BE RESPONSIBLE FOR WARRANTY, REPAIR, OR OTHER CLAIMS REGARDING THE PRODUCTS UNLESS OMRON'S ANALYSIS CONFIRMS THAT THE PRODUCTS WERE PROPERLY HANDLED, STORED, INSTALLED, AND MAINTAINED AND NOT SUBJECT TO CONTAMINATION, ABUSE, MISUSE, OR INAPPROPRIATE MODIFICATION OR REPAIR.

Application Considerations

SUITABILITY FOR USE

OMRON shall not be responsible for conformity with any standards, codes, or regulations that apply to the combination of the product in the customer's application or use of the product.

Take all necessary steps to determine the suitability of the product for the systems, machines, and equipment with which it will be used.

Know and observe all prohibitions of use applicable to this product.

NEVER USE THE PRODUCT FOR AN APPLICATION INVOLVING SERIOUS RISK TO LIFE OR PROPERTY WITHOUT ENSURING THAT THE SYSTEM AS A WHOLE HAS BEEN DESIGNED TO ADDRESS THE RISKS, AND THAT THE OMRON PRODUCT IS PROPERLY RATED AND INSTALLED FOR THE INTENDED USE WITHIN THE OVERALL EQUIPMENT OR SYSTEM.

PROGRAMMABLE PRODUCTS

OMRON shall not be responsible for the user's programming of a programmable product, or any consequence thereof.

Disclaimers

CHANGE IN SPECIFICATIONS

Product specifications and accessories may be changed at any time based on improvements and other reasons. Consult with your OMRON representative at any time to confirm actual specifications of purchased product.

DIMENSIONS AND WEIGHTS

Dimensions and weights are nominal and are not to be used for manufacturing purposes, even when tolerances are shown.

PERFORMANCE DATA

Performance data given in this catalog is provided as a guide for the user in determining suitability and does not constitute a warranty. It may represent the result of OMRON's test conditions, and the users must correlate it to actual application requirements. Actual performance is subject to the OMRON Warranty and Limitations of Liability.

OMRON Corporation Industrial Automation Company
Tokyo, JAPAN

Contact: www.ia.omron.com

Regional Headquarters

OMRON EUROPE B.V.

Wegalaan 67-69-2132 JD Hoofddorp
The Netherlands
Tel: (31)2356-81-300/Fax: (31)2356-81-388

OMRON ELECTRONICS LLC

One Commerce Drive Schaumburg,
IL 60173-5302 U.S.A.
Tel: (1) 847-843-7900/Fax: (1) 847-843-7787

OMRON ASIA PACIFIC PTE. LTD.

No. 438A Alexandra Road # 05-05/08 (Lobby 2),
Alexandra Technopark,
Singapore 119967
Tel: (65) 6835-3011/Fax: (65) 6835-2711

OMRON (CHINA) CO., LTD.

Room 2211, Bank of China Tower,
200 Yin Cheng Zhong Road,
PuDong New Area, Shanghai, 200120, China
Tel: (86) 21-5037-2222/Fax: (86) 21-5037-2200

Authorized Distributor:

© OMRON Corporation 2013 All Rights Reserved.
In the interest of product improvement,
specifications are subject to change without notice.

CSM_2_1_0813
Cat. No. T056-E1-01

Mouser Electronics

Authorized Distributor

Click to View Pricing, Inventory, Delivery & Lifecycle Information:

Omron:

[S8VK-G03005](#) [S8VK-G06024](#) [S8VK-G48024](#) [S8VK-G01512](#) [S8VK-G03024](#) [S8VK-G24024](#) [S8VK-G06012](#) [S8VK-G24048](#) [S8VK-G48048](#) [S8VK-G01505](#) [S8VK-G03012](#) [S8VK-G12024](#) [S82Y-VK10S](#) [S82Y-VK20S](#) [S82Y-VK15P](#)
[S8VK-G01524](#)