

SPARKPLUG ENABLED PFC200 GEN 2 CONTROLLERS

For Edge of Network Applications

AUTOMATION
meets IT



EASY IoT
CONNECTION



Sparkplug

MQTT

COCKPIT



OPEN and
SECURE



CONNECTIVITY
HERO

OPEN FOR THE DIGITAL FUTURE

Digitalization offers companies the great opportunity to shape their future dynamically and successfully. However, the digital transformation also entails many challenges. Networking, analytics, increased productivity and new business models are all challenges that have to be faced on a daily basis. There are no hard and fast rules for handling the digital transformation successfully. Therefore, forward-thinking companies need solutions tailored to meet their specific system requirements.

Let our open automation platforms inspire you to meet the demands of the ever-changing IIoT age. We offer you the freedom of adaptable customer solutions instead of rigid, preconfigured options. For example, leverage the flexibility of Sparkplug to decouple system applications from your field devices to increase operation performance while reducing network complexity and costs.

AUTOMATION
meets IT



Connect the Worlds of Modern Engineering

Experience the possibilities of our open automation platform. Whether you feel most at home in the world of PLC programming or embedded programming (Linux, etc.), you are free to choose with WAGO as our software tools offer the best of both worlds. Combining that with the utmost in system modularity and flexibility, as well as network independence, allows for modern engineering – automation and IT in one platform.

Keep Important Data Secure

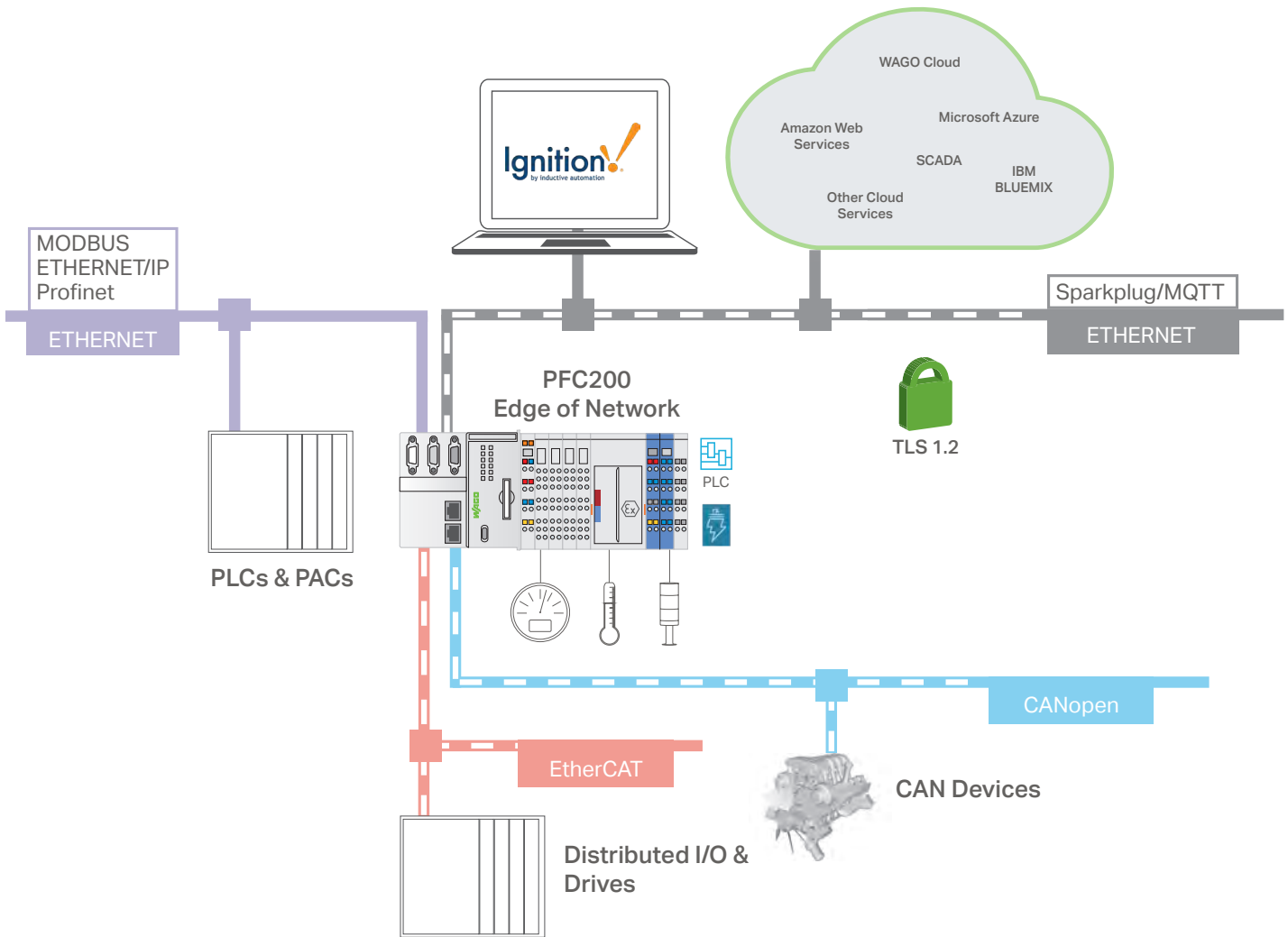
One of the major challenges that comes with digitalization is figuring out how to securely collect data from your manufacturing site's plant floors.

With the PFC200 Controllers, you'll always be on the safe side. Our controllers encrypt information directly and then transmit it securely to the Cloud via IPsec or OpenVPN. These cybersecurity tools help users transfer data in a secure manner with TLS security and built-in Firewalls and VPNs.

OPEN and
SECURE



EoN GATEWAY PLC WITH SPARKPLUG



PFC200 Gen 2 Controllers For Sparkplug Edge of Network Applications

The PFC200 Gen 2 controllers are the industry's first PLC supporting the Sparkplug B¹ standard with gateway functionality for all popular fieldbus networks, as well as a built-in VPN and Firewall for security. Utilizing the latest version of our e!COCKPIT programming software and the WAGO Sparkplug license enables these controllers to become Edge of Network (EoN) devices for monitoring and controlling your plant floor machines and exchanging information with an Ignition-based SCADA system or third party historians.

The WAGO Advantage:

- Proven industrial hardware with the utmost flexibility and modularity
- Choose from over 500 digital, analog and special function I/O modules
- Gateway functionality for multiple fieldbus networks: CANopen, Profibus, Modbus TCP/UDP, Ethernet/IP, Modbus RTU and EtherCAT
- Sparkplug support for reduced network traffic, processor overhead and engineering time

Compatible Controllers	
PFC200 G2; 2 ETH RS	750-8212
PFC200 G2; 2 ETH CAN	750-8213
PFC200 G2; 2 ETH RS CAN	750-8214
PFC200 G2; 4 ETH CAN USB	750-8215
PFC200 G2; 2 ETH RS CAN DPS	750-8216

The license can also be used on these controllers' variants.

The PFC200 Generation 2 Controllers support Sparkplug B specification when using e!COCKPIT V 1.5 and above as the programming tool. A runtime license is required for each controller.

Sparkplug license part number:
2759-247/210-100

www.wago.com/us/sparkplug



Ignition is a trademark of Inductive Automation.

WAGO Corporation
N120 W19129 Freistadt Road
Germantown, Wisconsin 53022
Telephone: 800 / DIN-Rail (346-7245)
Fax: 262 / 255-3232
info.us@wago.com
www.wago.us

WAGO Canada Inc.
1550 Yorkton Court, Unit 1
Burlington, ON
L7P 5B7
Telephone: 888 / WAGO 221 (924-6221)
info.ca@wago.com
www.wago.ca

WAGO SA DE CV
Carretera estatal 431 Km. 2+200. Lote 99 6
Parque Industrial Tecnológico Innovación Querétaro
El Marques, Qro. 76246
Lada sin Costo: 01 800 288 WAGO (288-9246)
Telefono: 422 / 221-5946
info.mx@wago.com
www.wago.mx

WAGO is a registered trademark of WAGO Verwaltungsgesellschaft mbH.

"Copyright – WAGO Kontakttechnik GmbH & Co. KG – all rights reserved. The content and structure of the WAGO Websites, catalogs, videos, and other WAGO media are subject to copyright. The dissemination or changing of the content of these pages and videos is not permitted. Furthermore, the content may neither be copied nor made available to third parties for commercial purposes. Also subject to copyright are the images and videos that were made available to WAGO Kontakttechnik GmbH & Co. KG by third parties."