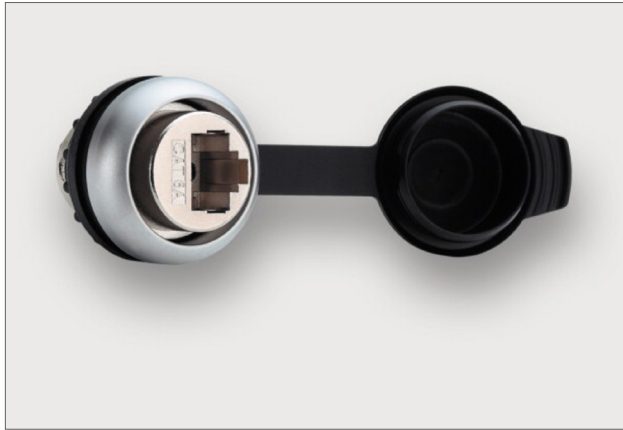


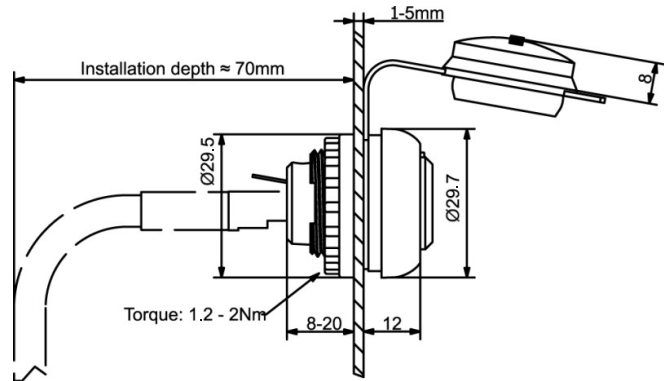
TECHNICAL DATA SHEET

Cat 6A Panel Connector

PN 8000-099/000-1764



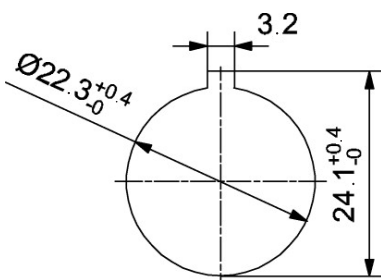
DIMENSIONS (mm)



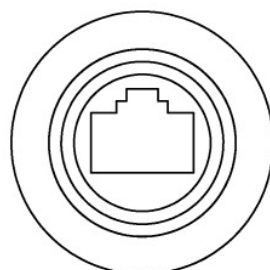
Part Number: 8000-099/000-1764

Description		RJ45 panel connector for front installation 22.5 mm Female/female 1:1	
General		Technical Data	
Form male 1	RJ45	Rated voltage U_N	24 VAC
Degree of pollution	3	Rated voltage max.	50 V
Insulation resistance	> 100 MΩ	Rated current	1.5 A
Contact resistance	< 30 mΩ	Pole number	8
Flammability according to UL 94	V0	Transfer rate	10 Gbit/s
Protection class	cULus NEMA Type 2, 3R, 4, 4X, 12, 13: IEC IP65 with cap closed, IP20 when connected	Category	Cat 6 A
Housing material	PA, PBT,	Contact type	1:1
Cover	TPU	Shielding	Connected through
Contact material	CuSn, gold-plated	Approvals	cULus
Mounting	Front installation		
Installation depth	70 mm		
Operating temperature range	-20 °C ... +70 °C		
Storage temperature range	-20 °C ... +80 °C		
Temperature range connector	-20 °C ... +70 °C		
Mechanical service life	> 750 insertion cycles		
Weight	0.84 oz / piece		

MOUNTING



front view:



CIRCUIT DIAGRAM

