

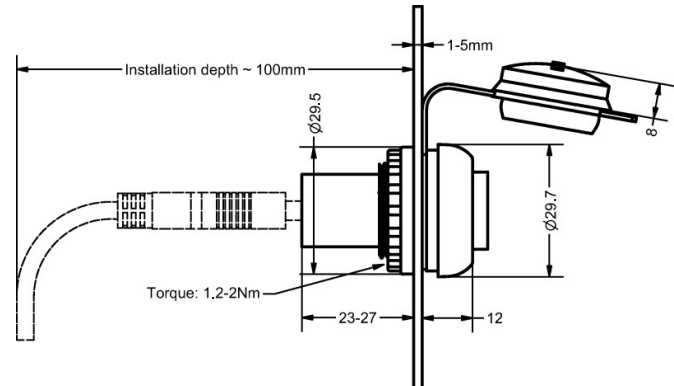
TECHNICAL DATA SHEET

USB 3.0 Panel Connector

PN 8000-099/000-1765



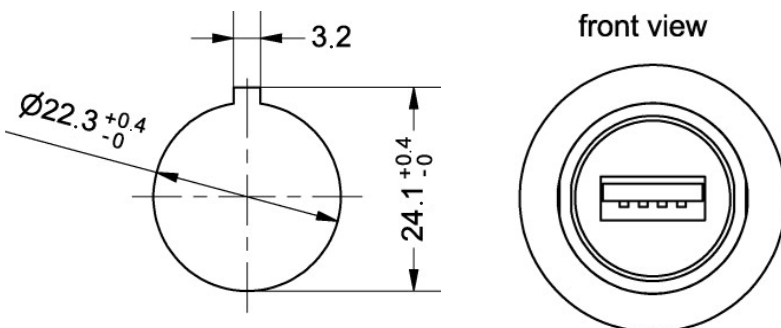
DIMENSIONS (mm)



Part Number: 8000-099/000-1765

Description	USB 3.0 panel connector with M22 thread for front installation USB 3.0 female / female Type A/A Type: USB 3.0 A/A F/F		
General			Technical Data
Degree of pollution	3	Rated voltage U_N	5 VAC / VDC
Insulation resistance	> 100 M Ω	Rated voltage max.	30 V
Contact resistance	< 30 m Ω	Rated current	0.9 A
Protection class	cULus NEMA Type 2, 3R, 4, 4X, 12, 13: IEC IP65 with cap closed, IP20 when connected	Pole number	9
Housing material	PA, PVC	Transfer rate	5 Gbit/s
Cover	TPU	USB standard	3.0
Contact material	CuSn, gold-plated	Contact type	1:1
Mounting	Front installation	Shielding	Shielded
Installation depth	100 mm	Approvals	cULus
Operating temperature range	-20 °C ... +70 °C		
Storage temperature range	-25 °C ... +80 °C		
Mechanical service life	> 100 insertion cycles		
Weight	0.32 oz/piece		

MOUNTING



PIN ASSIGNMENT

